

Product Tips and Features

Tapping Plates

Tapping Plates are sandwich adapters designed to provide a means to easily take pressure readings from the work ports.

1. Standard materials are Aluminum and Ductile Iron. Other materials including Mild Steel or Stainless Steel are optionally available.
2. Special Finishes including Black Oxide, Electroless Nickel Plating or Anodizing are optionally available.
3. Clearance holes are designed to accommodate either UNC or Metric interface fasteners.
4. Standard Connection Points are P & A, P & B, P & T, and A & B for all solenoid interfaces up to D08 size.
5. Standard Connection Points for P, A, B & T ports are available for D07, D08 & D10 sizes. D05 size is available on request.
6. Nominal ¼" Connection Points for test points as shown are Standard. Larger port sizes for higher flows are available on request.
7. Viton O rings and locating pins are supplied as standard.
8. Tapping Plates for Servo Valves are available. Please contact Factory for Part Numbers.
9. Special Tapping Plates can be ordered for external pressure connections from a secondary pressure source. Please contact factory for Part Number and availability.

WE RESERVE THE RIGHT TO DISCONTINUE MODELS, OR CHANGE SPECIFICATIONS WITHOUT NOTICE OR INCURRING OBLIGATION

Lynch Products Can Be Modified to Suit Your Application

Phone: 1 (888) 626-4365 or + 1 (905) 363-2400 Fax: 1 (800) 263-5807 www.lynch.ca sales@lynch.ca

Index

Tapping Plates

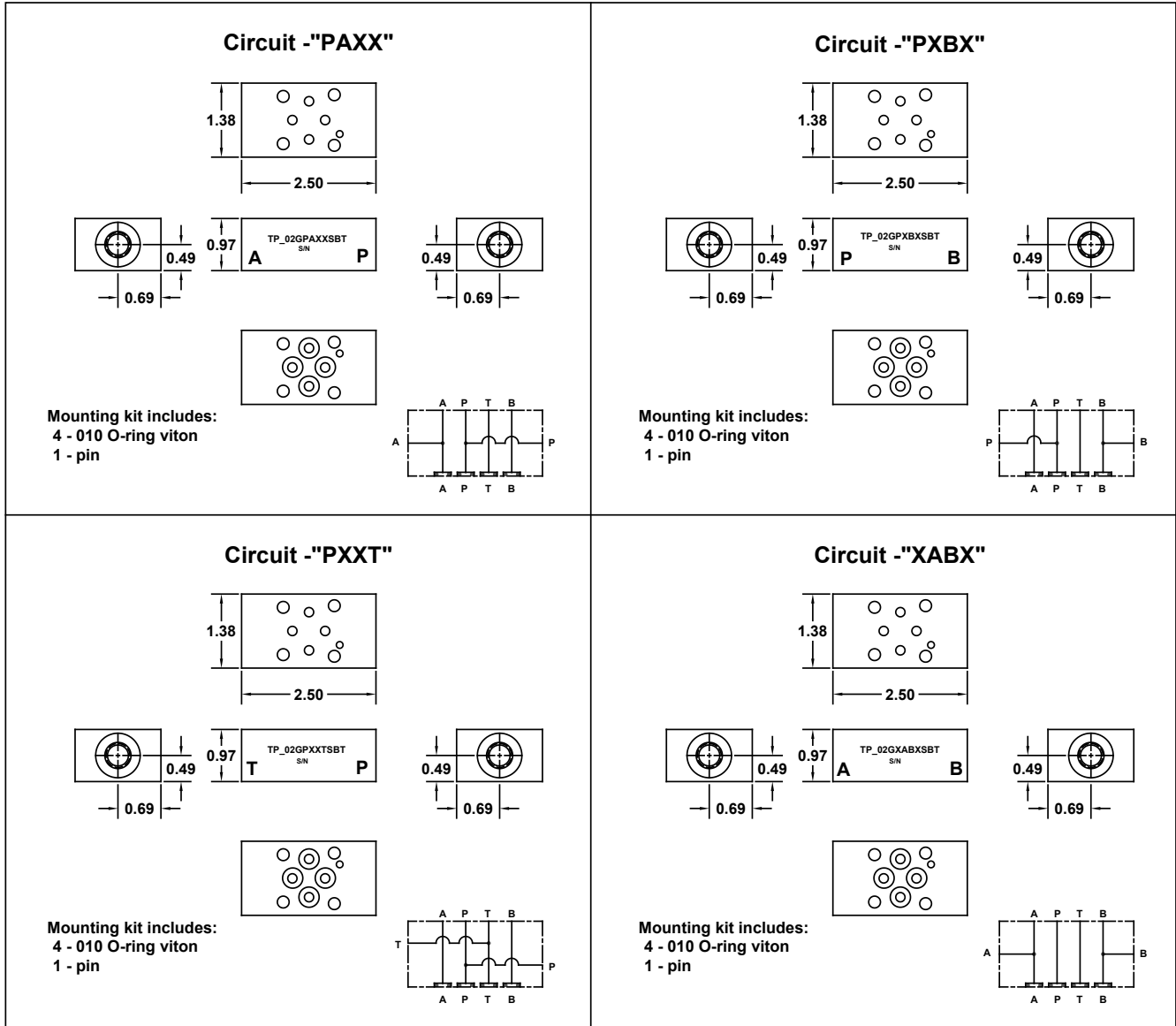
D02 Tapping Plates	2.01.01
D03 Tapping Plates	2.02.01
D05 Tapping Plates	2.03.01
D05H Tapping Plates.....	2.03.02
D05HE Tapping Plates	2.03.03
D07 Tapping Plates	2.04.01
D08 Tapping Plates	2.05.01
D07, D08 & D10 “P, A, B & T” Tapping Plates.....	2.06.01
Test Points.....	2.99.01
Oversized Ports (Full Flow)	Consult Factory
Servo Interfaces Tapping Plates	Consult Factory
2 Speed Sandwich Tapping Plates.....	Consult Factory

WE RESERVE THE RIGHT TO DISCONTINUE MODELS, OR CHANGE SPECIFICATIONS WITHOUT NOTICE OR INCURRING OBLIGATION

Lynch Products Can Be Modified to Suit Your Application

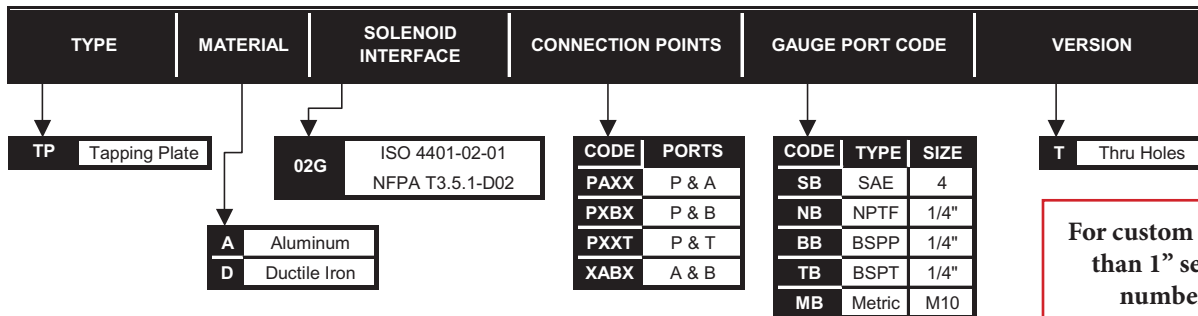
Phone: 1 (888) 626-4365 or + 1 (905) 363-2400 Fax: 1 (800) 263-5807 www.lynch.ca sales@lynch.ca

D02 Tapping Plates



PART NUMBER SYSTEM

Aluminum D02 Tapping Plate with SAE 4 Gauge Ports on A & B Example : **TPA02GXABXS**



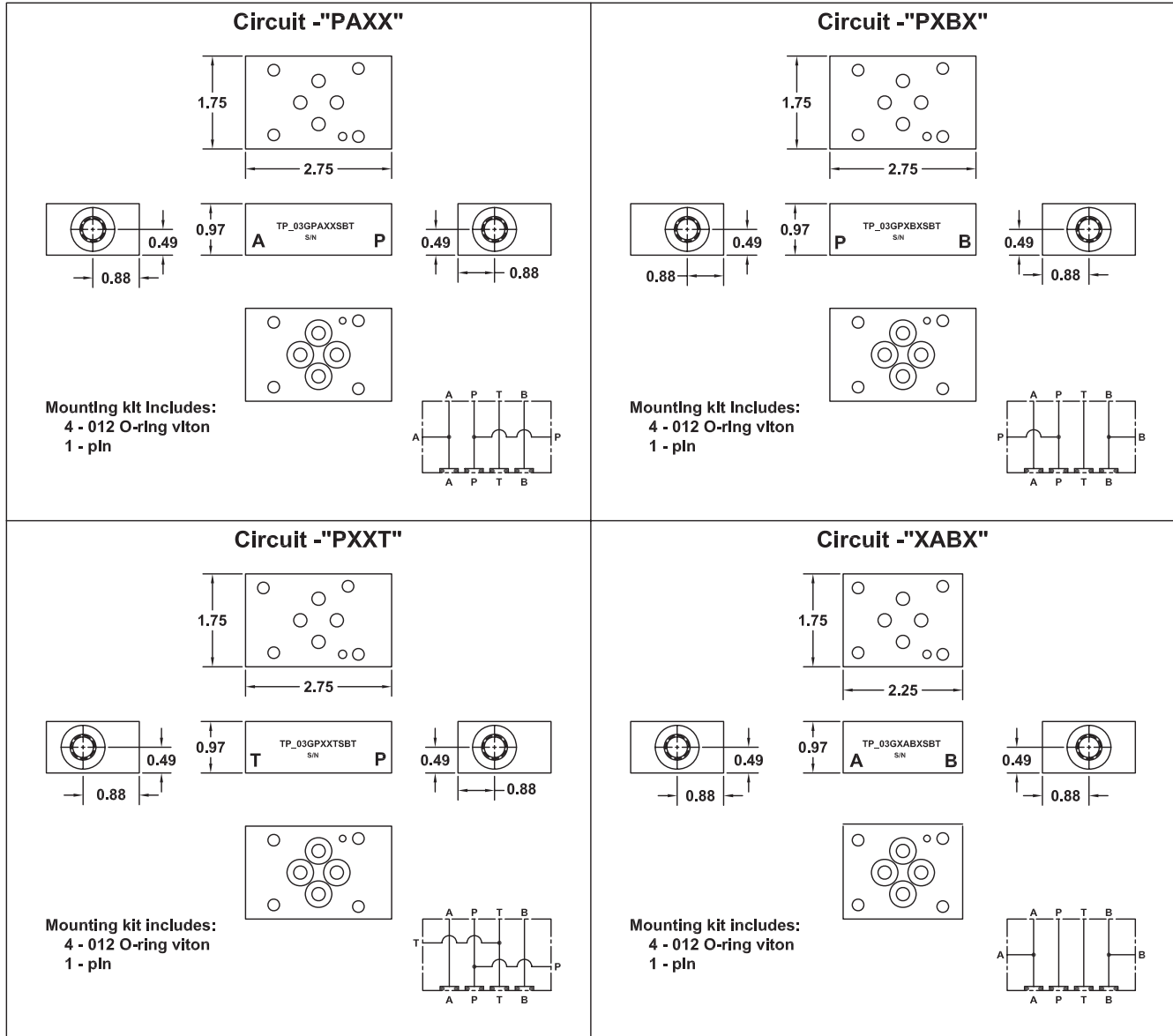
For custom height greater than 1" see data sheet number **2.99.01**

WE RESERVE THE RIGHT TO DISCONTINUE MODELS, OR CHANGE SPECIFICATIONS WITHOUT NOTICE OR INCURRING OBLIGATION

Lynch Products Can Be Modified to Suit Your Application

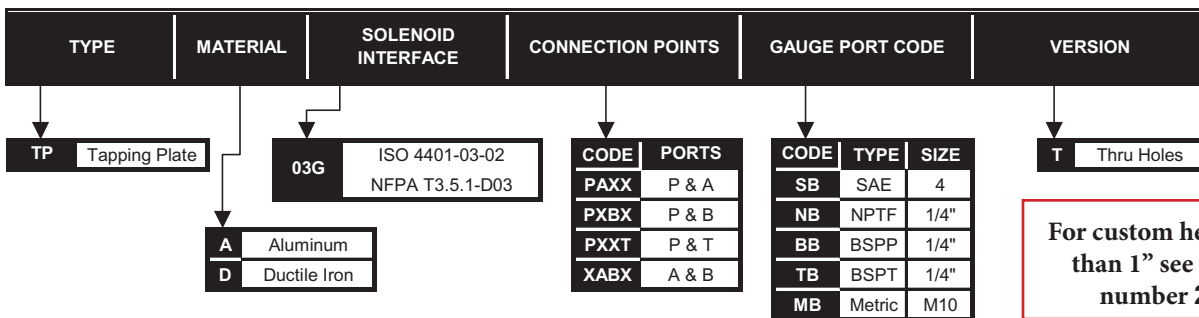
Phone: 1 (888) 626-4365 or +1 (905) 363-2400 Fax: 1 (800) 263-5807 www.lynch.ca sales@lynch.ca

D03 Tapping Plates



PART NUMBER SYSTEM

Aluminum D03 Tapping Plate with SAE 4 Gauge Ports on A & B Example : **TPA03GXABXSBT**



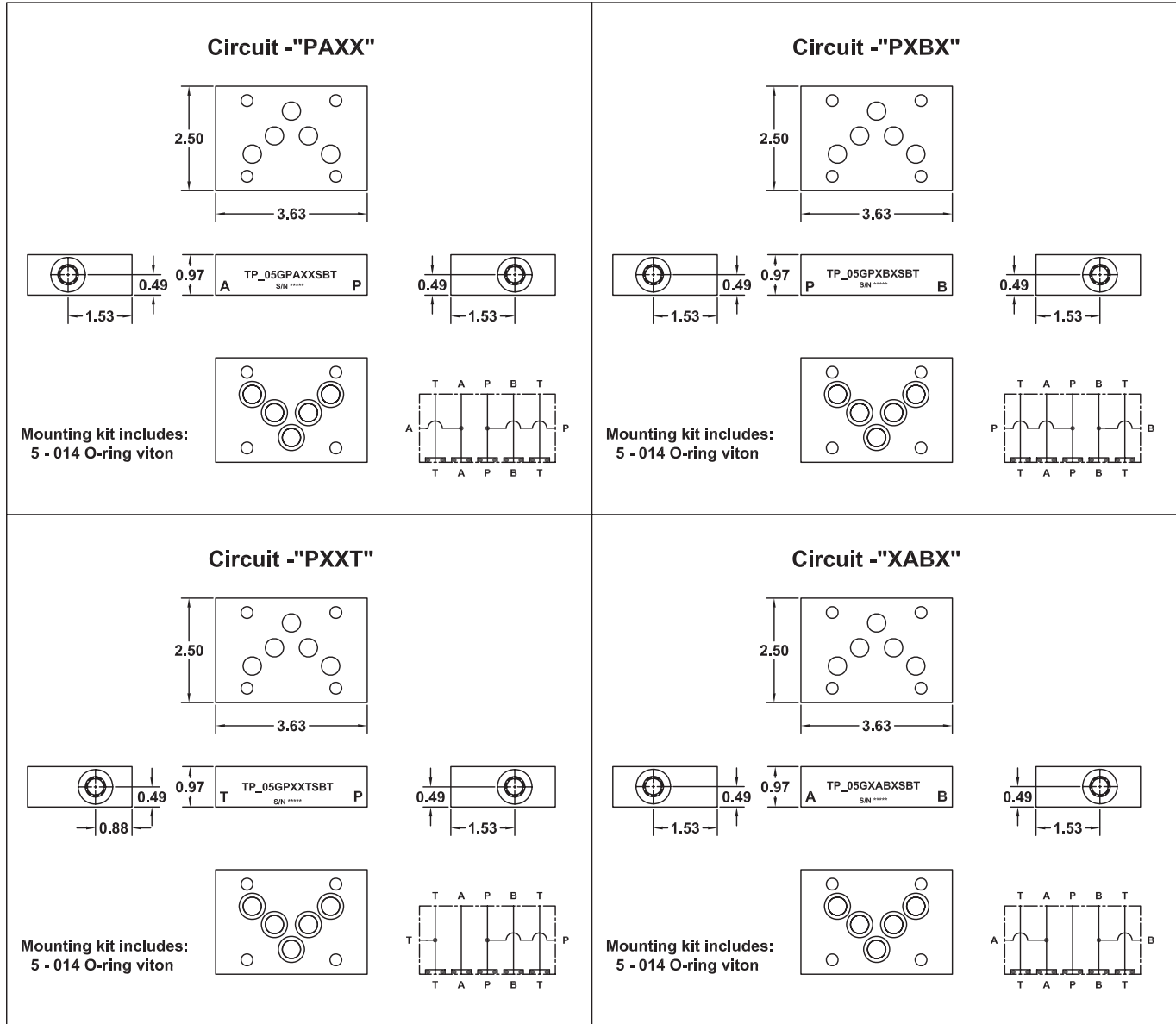
For custom height greater than 1" see data sheet number 2.99.01

WE RESERVE THE RIGHT TO DISCONTINUE MODELS, OR CHANGE SPECIFICATIONS WITHOUT NOTICE OR INCURRING OBLIGATION

Lynch Products Can Be Modified to Suit Your Application

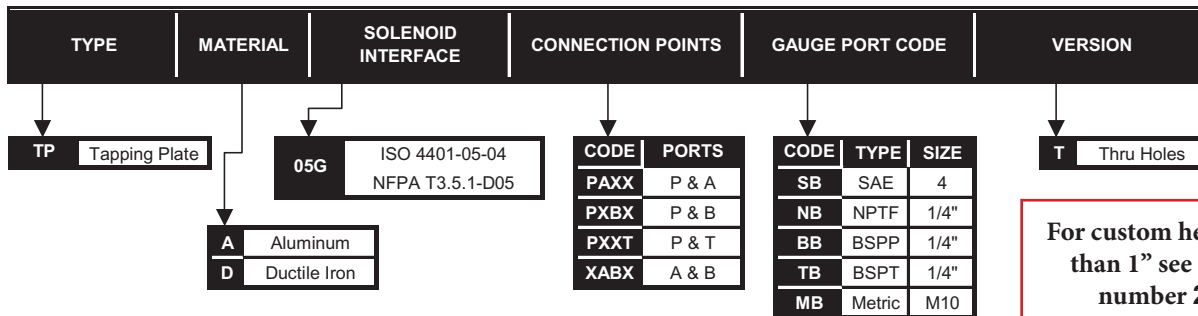
Phone: 1 (888) 626-4365 or +1 (905) 363-2400 Fax: 1 (800) 263-5807 www.lynch.ca sales@lynch.ca

D05 Tapping Plates



PART NUMBER SYSTEM

Aluminum D05 Tapping Plate with SAE 4 Gauge Ports on A & B Example : **TPA05GXABXSBT**



For custom height greater than 1" see data sheet number **2.99.01**

WE RESERVE THE RIGHT TO DISCONTINUE MODELS, OR CHANGE SPECIFICATIONS WITHOUT NOTICE OR INCURRING OBLIGATION

Lynch Products Can Be Modified to Suit Your Application

Phone: 1 (888) 626-4365 or +1 (905) 363-2400 Fax: 1 (800) 263-5807 www.lynch.ca sales@lynch.ca

D05H Tapping Plates

<p>Circuit -"PAXX"</p> <p>Mounting kit includes: 5 - 014 O-ring viton 2 - 010 O-ring viton</p>	<p>Circuit -"PXBX"</p> <p>Mounting kit includes: 5 - 014 O-ring viton 2 - 010 O-ring viton</p>
<p>Circuit -"PXXT"</p> <p>Mounting kit includes: 5 - 014 O-ring viton 2 - 010 O-ring viton</p>	<p>Circuit -"XABX"</p> <p>Mounting kit includes: 5 - 014 O-ring viton 2 - 010 O-ring viton</p>

PART NUMBER SYSTEM

Aluminum D05H Tapping Plate with SAE 4 Gauge Ports on A & B Example : **TPA05HXABXSBT**

TYPE	MATERIAL	SOLENOID INTERFACE	CONNECTION POINTS	GAUGE PORT CODE	VERSION																												
TP Tapping Plate	A Aluminum D Ductile Iron	05H (USA Standard) NFPA T3.5.1-D05 Alt B	<table border="1"> <thead> <tr> <th>CODE</th> <th>PORTS</th> </tr> </thead> <tbody> <tr> <td>PAXX</td> <td>P & A</td> </tr> <tr> <td>PXBX</td> <td>P & B</td> </tr> <tr> <td>PXXT</td> <td>P & T</td> </tr> <tr> <td>XABX</td> <td>A & B</td> </tr> </tbody> </table>	CODE	PORTS	PAXX	P & A	PXBX	P & B	PXXT	P & T	XABX	A & B	<table border="1"> <thead> <tr> <th>CODE</th> <th>TYPE</th> <th>SIZE</th> </tr> </thead> <tbody> <tr> <td>SB</td> <td>SAE</td> <td>4</td> </tr> <tr> <td>NB</td> <td>NPTF</td> <td>1/4"</td> </tr> <tr> <td>BB</td> <td>BSPP</td> <td>1/4"</td> </tr> <tr> <td>TB</td> <td>BSPT</td> <td>1/4"</td> </tr> <tr> <td>MB</td> <td>Metric</td> <td>M10</td> </tr> </tbody> </table>	CODE	TYPE	SIZE	SB	SAE	4	NB	NPTF	1/4"	BB	BSPP	1/4"	TB	BSPT	1/4"	MB	Metric	M10	T Thru Holes
CODE	PORTS																																
PAXX	P & A																																
PXBX	P & B																																
PXXT	P & T																																
XABX	A & B																																
CODE	TYPE	SIZE																															
SB	SAE	4																															
NB	NPTF	1/4"																															
BB	BSPP	1/4"																															
TB	BSPT	1/4"																															
MB	Metric	M10																															

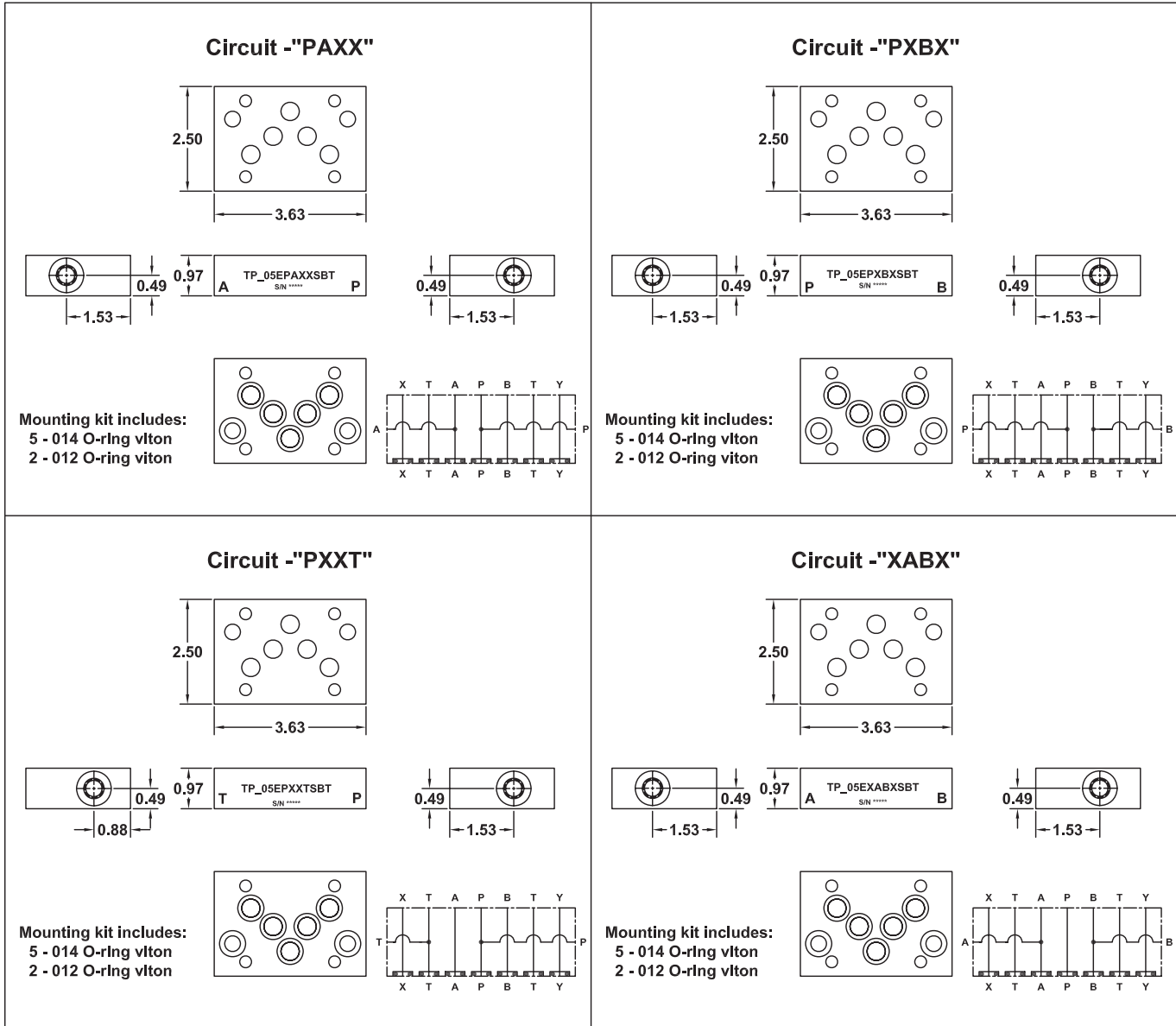
For custom height greater than 1" see data sheet number **2.99.01**

WE RESERVE THE RIGHT TO DISCONTINUE MODELS, OR CHANGE SPECIFICATIONS WITHOUT NOTICE OR INCURRING OBLIGATION

Lynch Products Can Be Modified to Suit Your Application

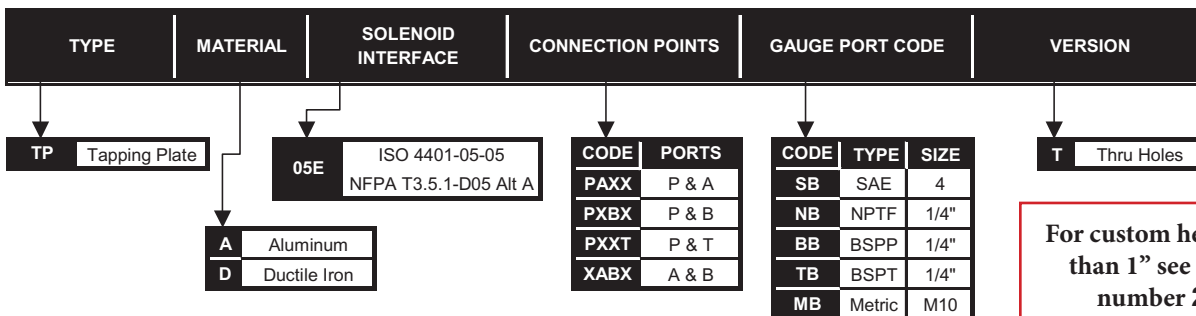
Phone: 1 (888) 626-4365 or +1 (905) 363-2400 Fax: 1 (800) 263-5807 www.lynch.ca sales@lynch.ca

D05HE Tapping Plates



PART NUMBER SYSTEM

Aluminum D05HE Tapping Plate with SAE 4 Gauge Ports on A & B Example : TPA05EXABXSBT



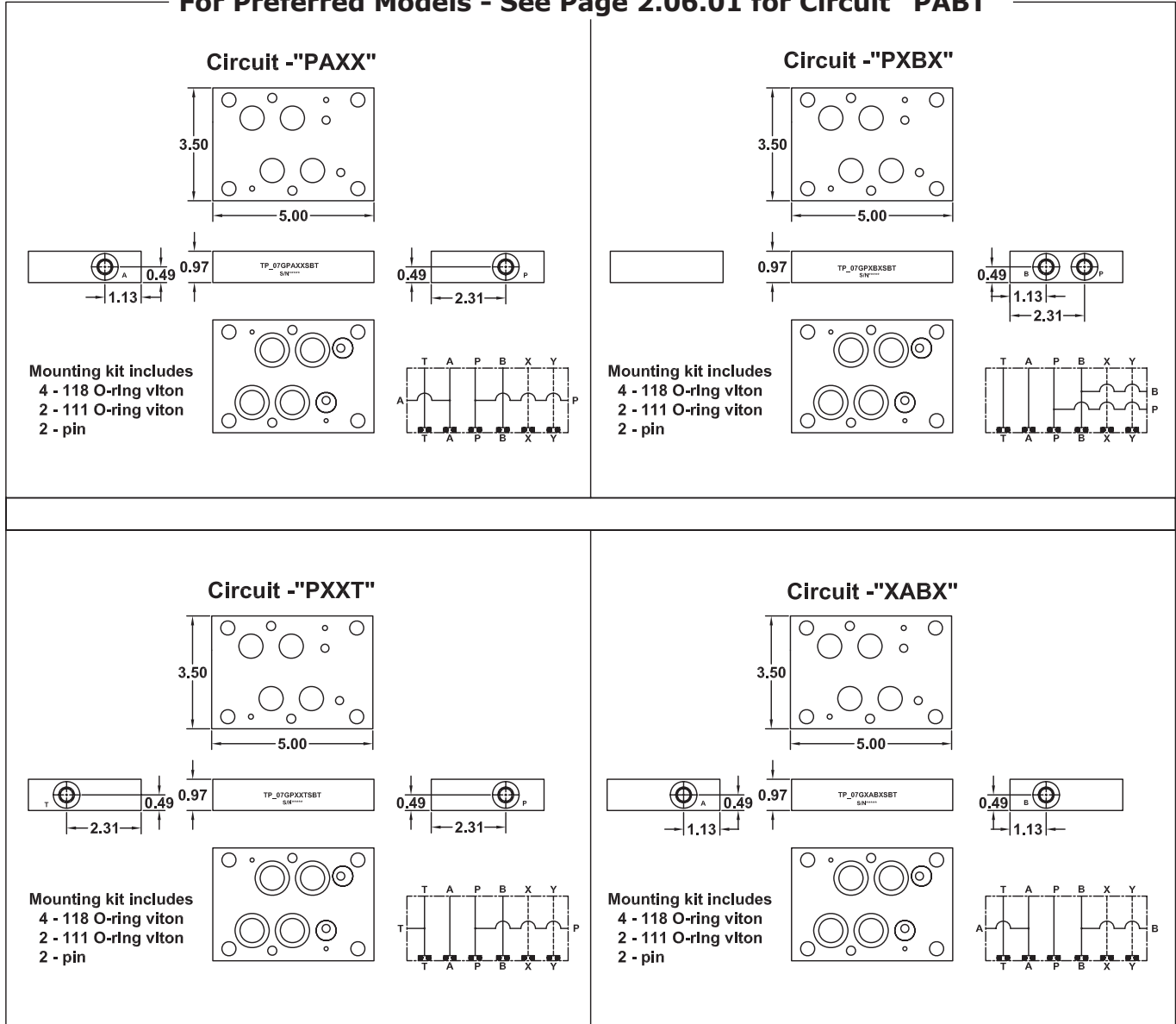
WE RESERVE THE RIGHT TO DISCONTINUE MODELS, OR CHANGE SPECIFICATIONS WITHOUT NOTICE OR INCURRING OBLIGATION

Lynch Products Can Be Modified to Suit Your Application

Phone: 1 (888) 626-4365 or +1 (905) 363-2400 Fax: 1 (800) 263-5807 www.lynch.ca sales@lynch.ca

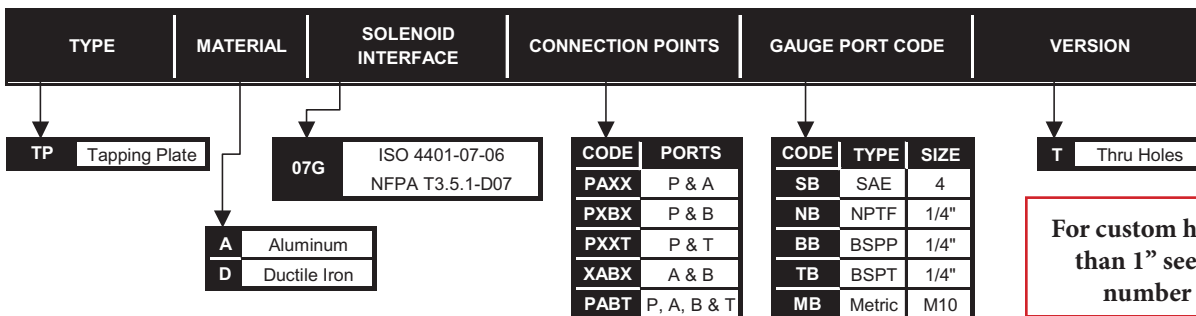
D07 Tapping Plates (Non Preferred Models)

For Preferred Models - See Page 2.06.01 for Circuit "PABT"



PART NUMBER SYSTEM

Aluminum D07 Tapping Plate with SAE 4 Gauge Ports on A & B Example : TPA07GXABXSBT



WE RESERVE THE RIGHT TO DISCONTINUE MODELS, OR CHANGE SPECIFICATIONS WITHOUT NOTICE OR INCURRING OBLIGATION

Lynch Products Can Be Modified to Suit Your Application

Phone: 1 (888) 626-4365 or +1 (905) 363-2400 Fax: 1 (800) 263-5807 www.lynch.ca sales@lynch.ca

D08 Tapping Plates (Non Preferred Models)

For Preferred Models - See Page 2.06.01 for Circuit "PABT"

<p>Circuit -"PAXX"</p> <p>Mounting kit includes 4 - 121 O-ring viton 2 - 114 O-ring viton 2 - pin</p>	<p>Circuit -"PXBX"</p> <p>Mounting kit includes 4 - 121 O-ring viton 2 - 114 O-ring viton 2 - pin</p>
<p>Circuit -"PXXT"</p> <p>Mounting kit Includes 4 - 121 O-ring viton 2 - 114 O-ring viton 2 - pin</p>	<p>Circuit -"XABX"</p> <p>Mounting kit Includes 4 - 121 O-ring viton 2 - 114 O-ring viton 2 - pin</p>

PART NUMBER SYSTEM

Aluminum D08 Tapping Plate with SAE 4 Gauge Ports on A & B Example : **TPA08GXABXSBT**

TYPE	MATERIAL	SOLENOID INTERFACE	CONNECTION POINTS	GAUGE PORT CODE	VERSION																														
TP Tapping Plate	A Aluminum D Ductile Iron	08G ISO 4401-08-07 NFPA T3.5.1-D08	<table border="1"> <thead> <tr> <th>CODE</th> <th>PORTS</th> </tr> </thead> <tbody> <tr> <td>PAXX</td> <td>P & A</td> </tr> <tr> <td>PXBX</td> <td>P & B</td> </tr> <tr> <td>PXXT</td> <td>P & T</td> </tr> <tr> <td>XABX</td> <td>A & B</td> </tr> <tr> <td>PABT</td> <td>P, A, B & T</td> </tr> </tbody> </table>	CODE	PORTS	PAXX	P & A	PXBX	P & B	PXXT	P & T	XABX	A & B	PABT	P, A, B & T	<table border="1"> <thead> <tr> <th>CODE</th> <th>TYPE</th> <th>SIZE</th> </tr> </thead> <tbody> <tr> <td>SB</td> <td>SAE</td> <td>4</td> </tr> <tr> <td>NB</td> <td>NPTF</td> <td>1/4"</td> </tr> <tr> <td>BB</td> <td>BSPP</td> <td>1/4"</td> </tr> <tr> <td>TB</td> <td>BSPT</td> <td>1/4"</td> </tr> <tr> <td>MB</td> <td>Metric</td> <td>M10</td> </tr> </tbody> </table>	CODE	TYPE	SIZE	SB	SAE	4	NB	NPTF	1/4"	BB	BSPP	1/4"	TB	BSPT	1/4"	MB	Metric	M10	T Thru Holes
CODE	PORTS																																		
PAXX	P & A																																		
PXBX	P & B																																		
PXXT	P & T																																		
XABX	A & B																																		
PABT	P, A, B & T																																		
CODE	TYPE	SIZE																																	
SB	SAE	4																																	
NB	NPTF	1/4"																																	
BB	BSPP	1/4"																																	
TB	BSPT	1/4"																																	
MB	Metric	M10																																	

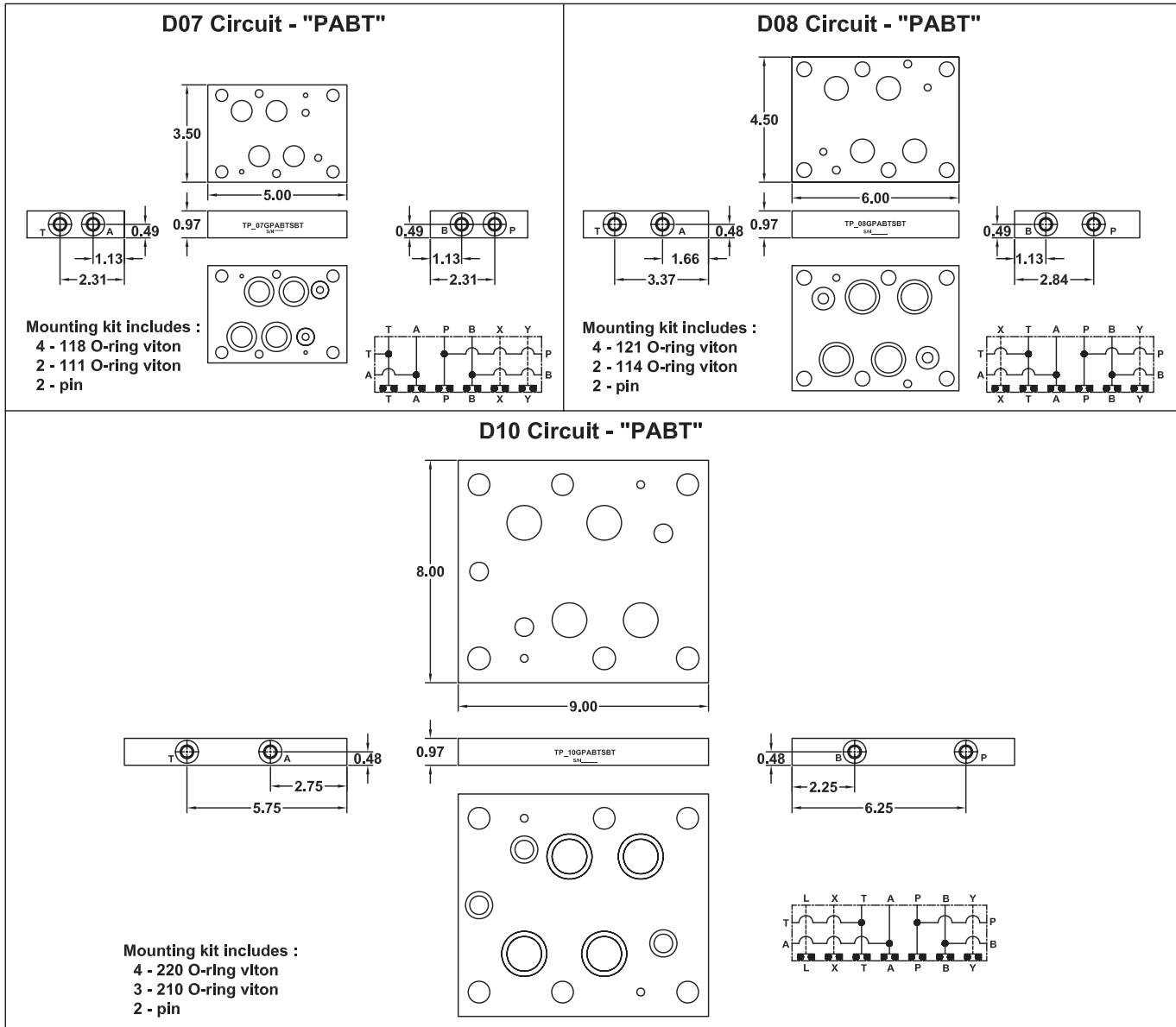
For custom height greater than 1" see data sheet number **2.99.01**

WE RESERVE THE RIGHT TO DISCONTINUE MODELS, OR CHANGE SPECIFICATIONS WITHOUT NOTICE OR INCURRING OBLIGATION

Lynch Products Can Be Modified to Suit Your Application

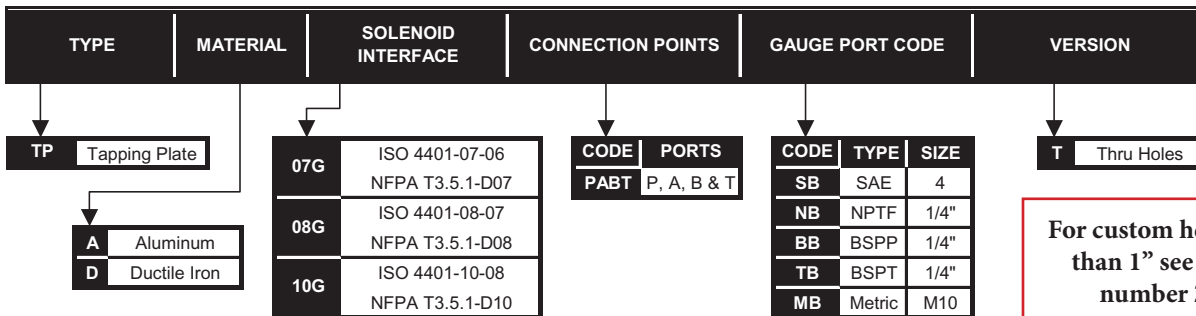
Phone: 1 (888) 626-4365 or +1 (905) 363-2400 Fax: 1 (800) 263-5807 www.lynch.ca sales@lynch.ca

D07, D08 & D10 - P, A, B & T Tapping Plates



PART NUMBER SYSTEM

Aluminum D10 Tapping Plate with SAE 4 Gauge Ports on P, A, B & T Example : **TPA10GPABTSBT**



WE RESERVE THE RIGHT TO DISCONTINUE MODELS, OR CHANGE SPECIFICATIONS WITHOUT NOTICE OR INCURRING OBLIGATION

Lynch Products Can Be Modified to Suit Your Application

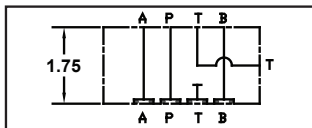
Phone: 1 (888) 626-4365 or +1 (905) 363-2400 Fax: 1 (800) 263-5807 www.lynch.ca sales@lynch.ca

Non Standard Options Oversized Ports, External Feed and/or Custom Height

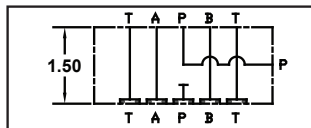
To order a non-standard Tapping Plate, make one selection from each column. Note: not all combinations are possible. Contact factory to confirm your selection.
NON-STANDARD EXAMPLE D05 D.I. Tapping Plate with SAE 6 Ports on A&B, 2.00" high: TPD05GXABXSCT200

TYPE	MATERIAL	SOLENOID INTERFACE	CONNECTION POINTS	GAUGE PORT CODES	VERSION	CUSTOM HEIGHT
TAPPING PLATE	Standard Options		Directional Valves			
	A Aluminum	CODE NFPA ISO 4401	CODE PORTS	CODE NPTF	CODE TYPE	CODE HEIGHT
	D Ductile	02G D02 -02-01	PAXX P & A	NA 1/8 NPTF	T All Through Galleries	### ###"
	Non-Standard Options		03G D03 -03-02	PXBX P & B	NB 1/4 NPTF	147 1.47"
	S Steel	05G D05 -05-04	PXXT P & T	NC 3/8 NPTF	E External Feed	175 1.75"
	3 303 Stainless Steel	05H D05H -	XABX A & B	CODE SAE		200 2.00"
	4 304 Stainless Steel	05E D05HE -05-05	PABT P & A & B & T	SB SAE 4		250 2.50"
	6 316 Stainless Steel	07G D07 -07-06	XBAX A & B Ports Opposite Face To Standard XABX Design	SC SAE 6		300 3.00"
		08G D08 -08-07	PXXX P Only	SD SAE 8		Other custom heights are available on request.
		10G D10 -10-08	XAXX A Only	SE SAE 10		
		Servo Valves		SF SAE 12		
		CODE ISO 10372	XXBX B Only	SH SAE 16		
		01S Size 01	XXXT T Only	SI SAE 20		
		02S Size 02	XAXT A & T	CODE BSPP		
		03S Size 03	XXBT B & T	BB BSPP 1/4"		
		04S Size 04		BC BSPP 3/8"		
		06S Size 06		BD BSPP 1/2"		
				BF BSPP 3/4"		
				BH BSPP 1"		
				BI BSPP 1 1/4"		
			CODE BSPT			
			TB BSPP 1/4"			
			CODE METRIC ISO 6149			
			MB M10X1.5			

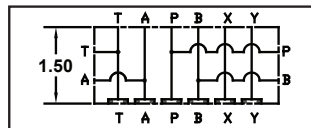
TPA03GXXXTSDE172



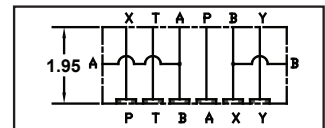
TPA05GPXXXSEE147



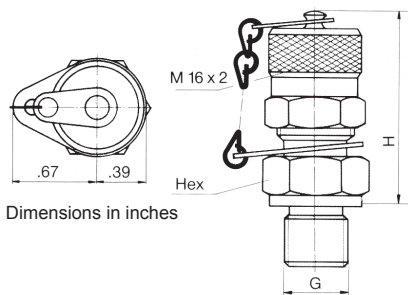
TPA07GPABTSC147



TPA08GXABXSFT197



Test Points



SAE	Thread G	H	Hex	Part Numbers
#4 SAE	7/16 UNF	1.5	0.67	MMHY01015
#6 SAE	9/16 UNF	1.57	0.75	MMHY01010

WE RESERVE THE RIGHT TO DISCONTINUE MODELS, OR CHANGE SPECIFICATIONS WITHOUT NOTICE OR INCURRING OBLIGATION

Lynch Products Can Be Modified to Suit Your Application

Phone: 1 (888) 626-4365 or +1 (905) 363-2400 Fax: 1 (800) 263-5807 www.lynch.ca sales@lynch.ca