



PM 1624

## Service Parts Guide

Effective: February, 1996

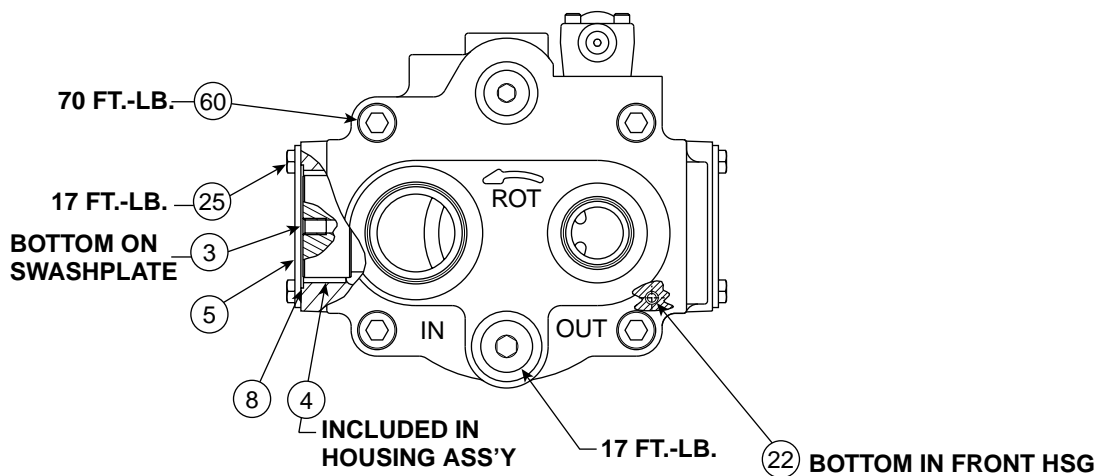
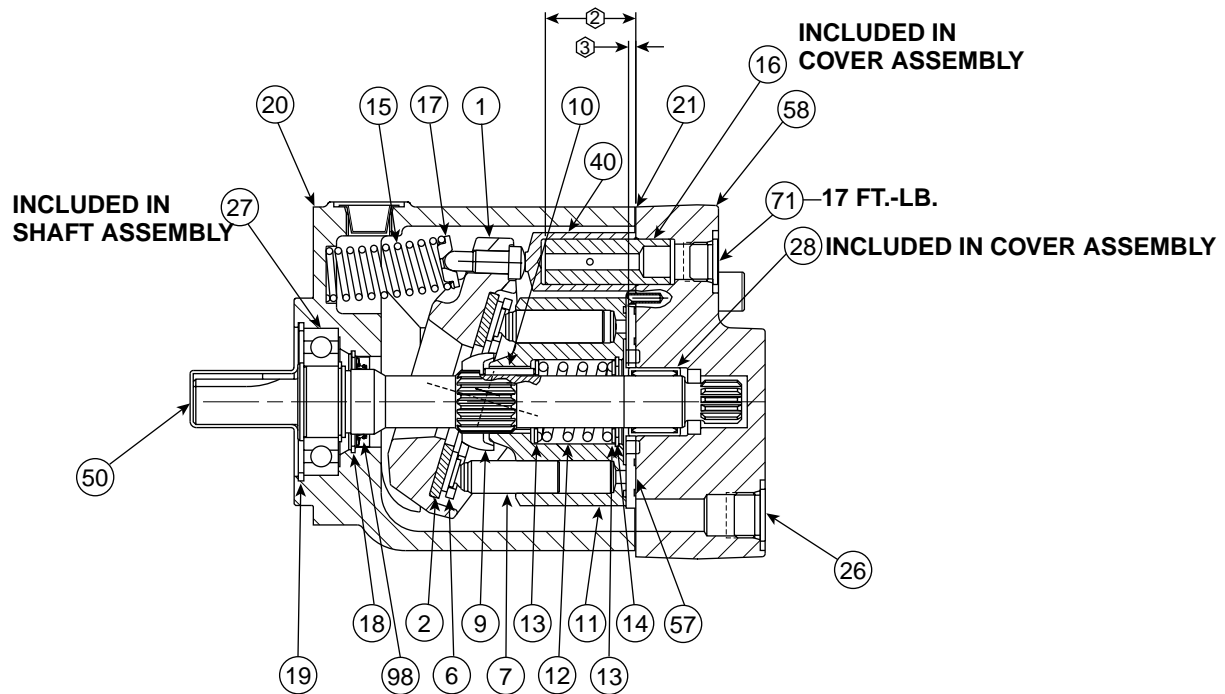
---

# PVP SERIES VARIABLE VOLUME PISTON PUMP

**Model PVP 41 \* \* \* \* 10**

**Model PVP 48 \* \* \* \* 10**

# REAR PORTED PUMP



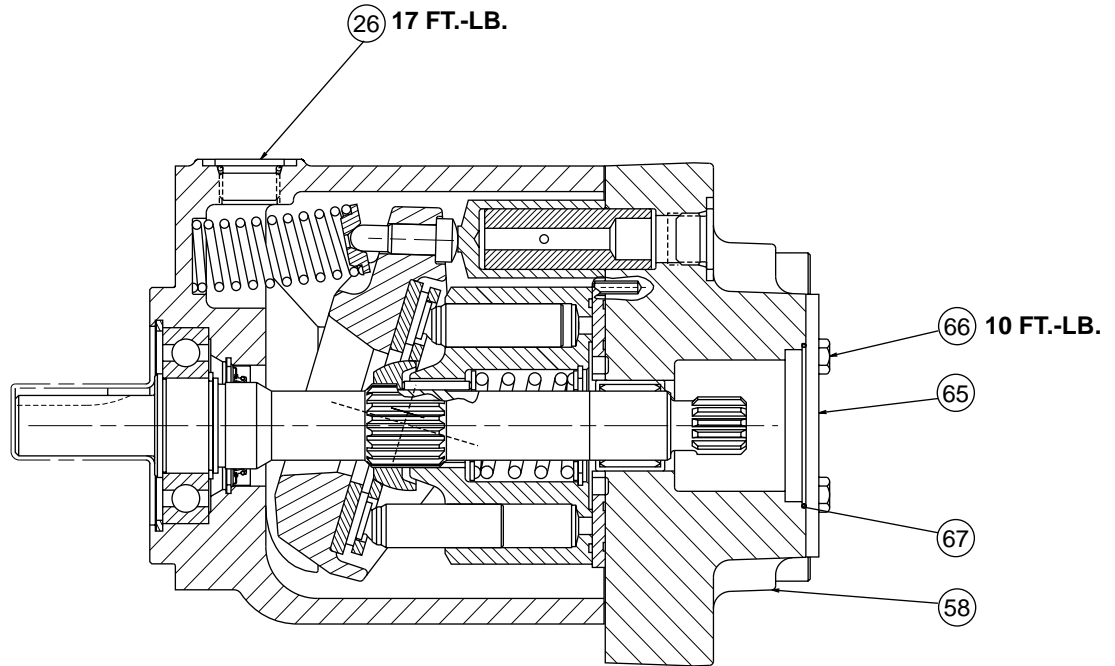
**NOTE:**

1. PUMP SHOWN IS A RIGHTHAND (CW) ROTATION PUMP WITH REAR PORTS. FOR A LEFTHAND (CCW) ROTATION PUMP THE INLET AND OUTLET PORTS WILL BE REVERSED.

② INSTALLED HEIGHT OF ITEM 16 (SERVO POST) ABOVE ITEM 58 (REAR COVER) TO BE 1.743/1.747.

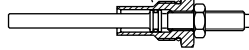
③ INSTALLED HEIGHT OF ITEM 28 (NEEDLE BEARING) ABOVE ITEM 58 (REAR COVER) TO BE .150/.130.

# SIDE PORTED PUMP

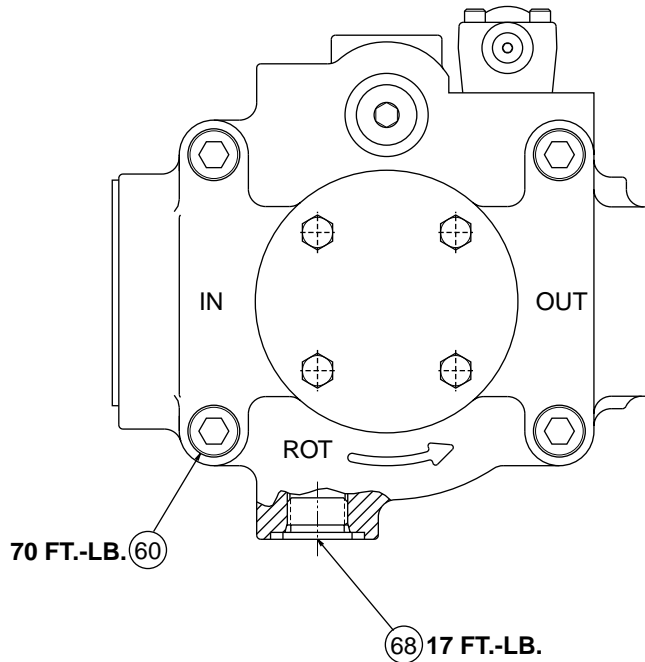


O-RING # 3908  $\odot$ -9

O-RING # 2011  $\odot$ -9

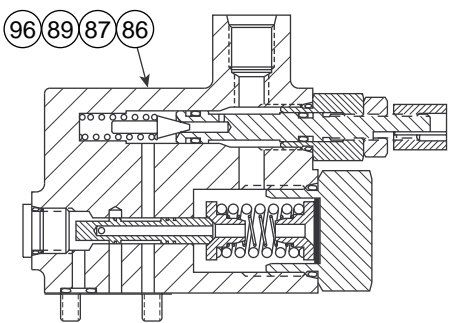


ADJUSTABLE MAX. VOLUME STOP  
VOLUME STOP OPTION "2"  
ITEM #72

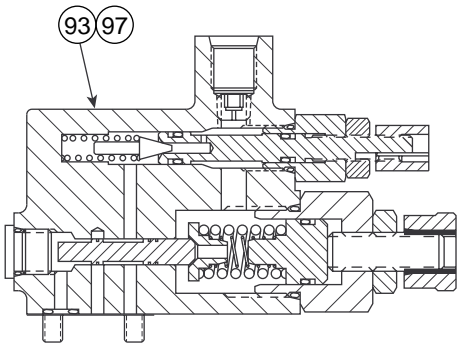


**NOTE:**  
PUMP SHOWN IS A RIGHTHAND (CW) ROTATION,  
SIDE PORTED PUMP. FOR A LEFTHAND (CCW) ROTATION  
PUMP THE INLET AND OUTLET PORTS WILL BE REVERSED.

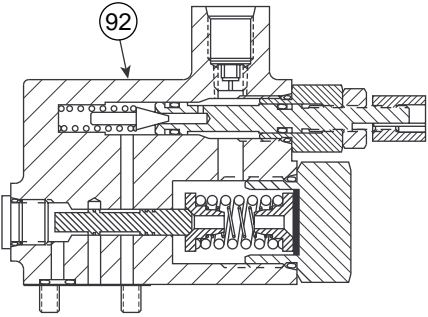
# CONTROL OPTIONS



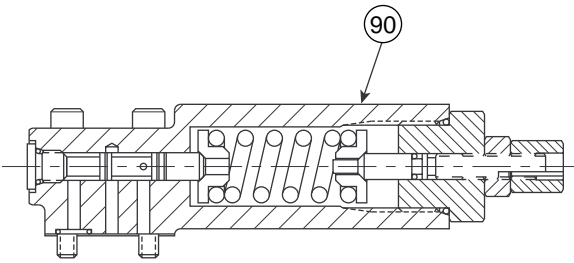
**REMOTE CONTROL OPTION "M"  
REQUIRED W/POWER OPTION "H"**



**LOAD SENSE OPTION "A"  
REQUIRED W/POWER OPTION "C"**

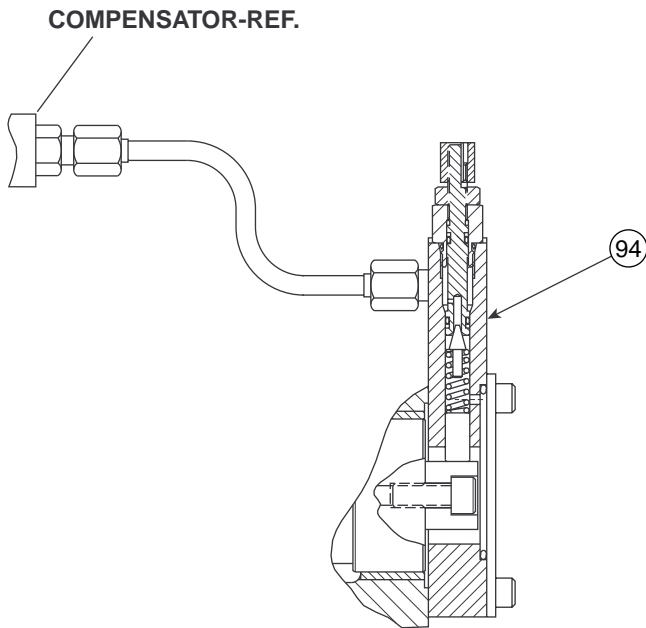


**CONTROL OPTION "ME"**

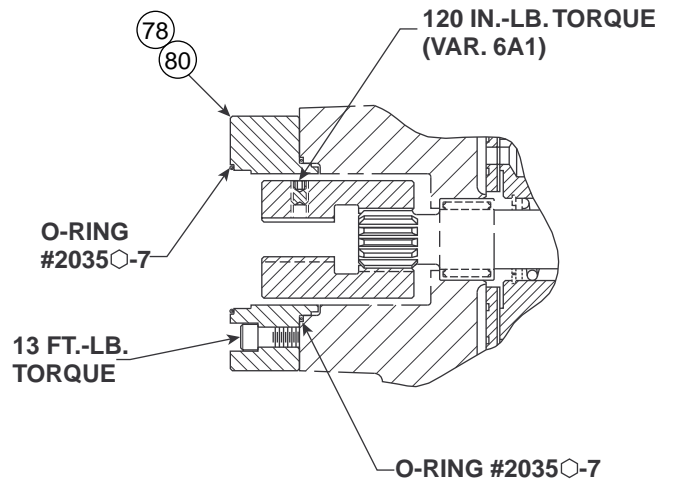


**STANDARD CONTROL OPTION "OMIT"**

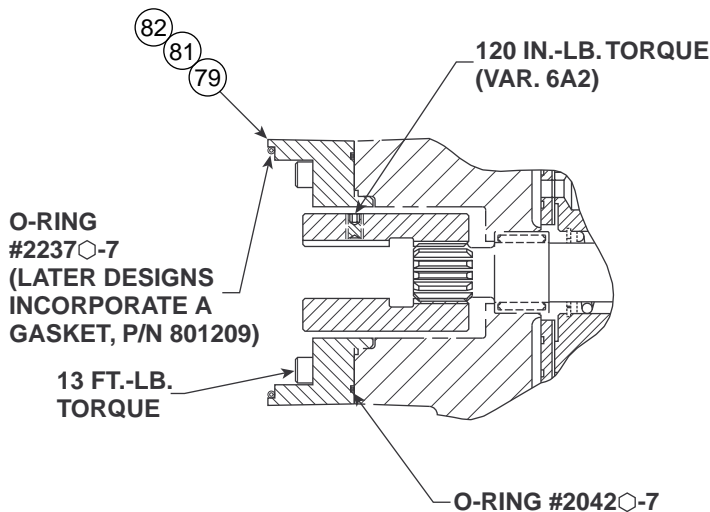
# THRU SHAFT OPTIONS



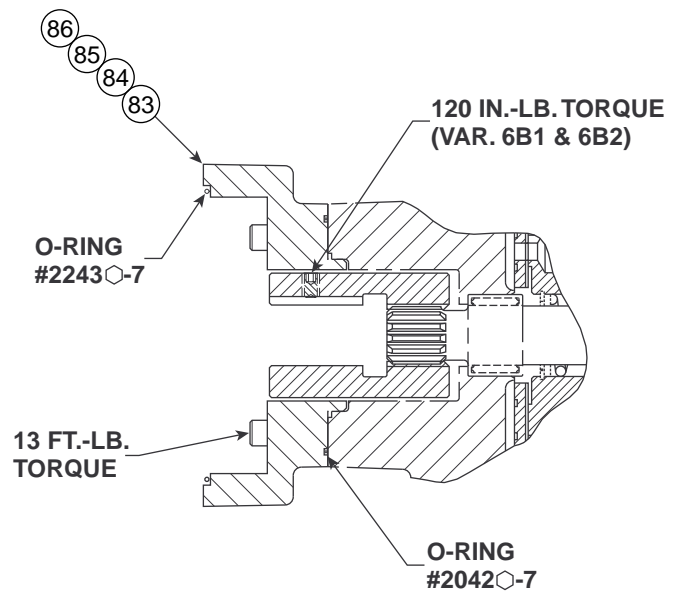
**POWER CONTROL  
OPTIONS "H" & "C"**



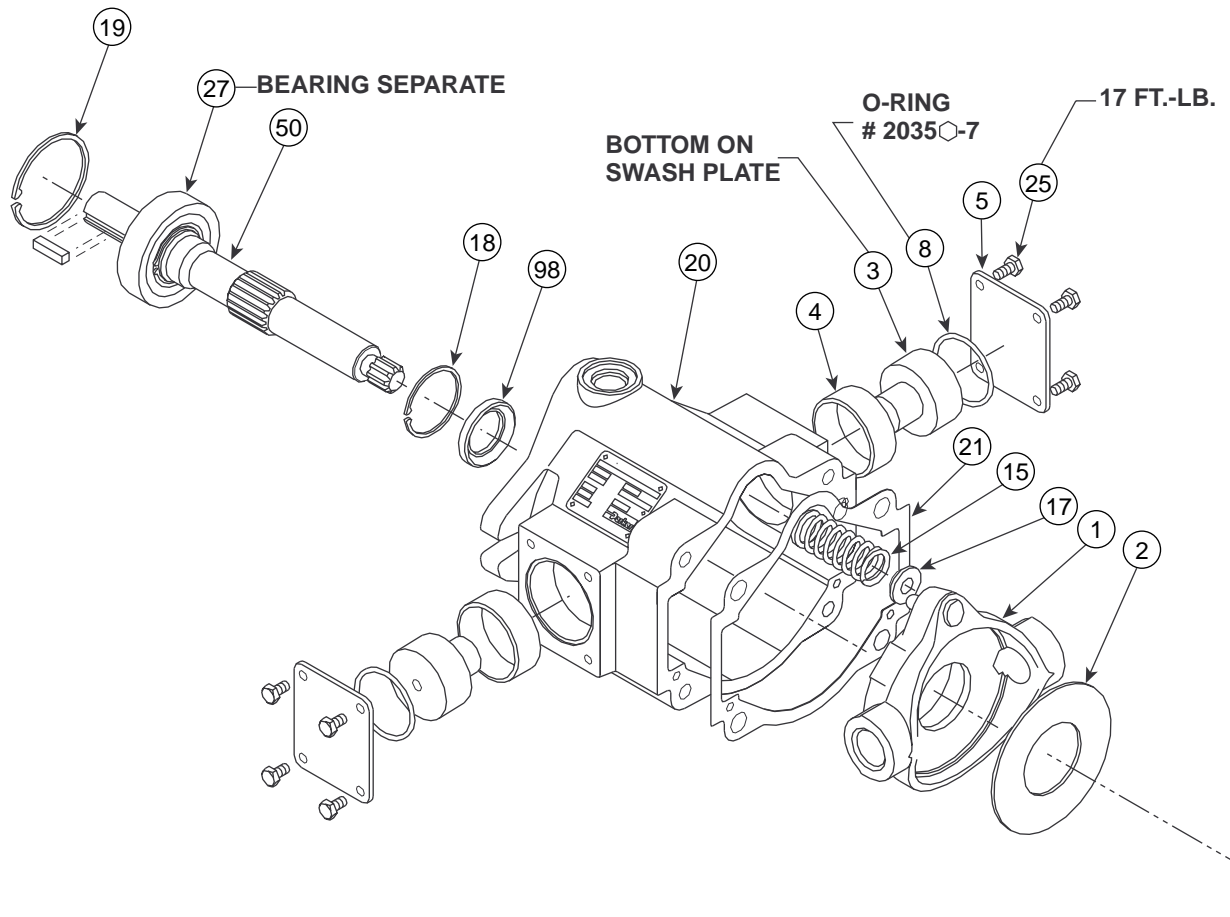
**THRU SHAFT VARIATIONS "6A1" & "6A3"**  
**REAR PUMP CONFIGURATION:**  
 - SAE AA 2 BOLT  
 - 2.000 PILOT DIAMETER  
 - SHAFT SIZES:  
 6A1 -  $\phi$  .500 X .125 KEY - KIT P/N 787233  
 6A3 - 9 TOOTH 20/40 PITCH SPLINE -  
 KIT P/N 787235



**THRU SHAFT VARIATIONS "6A2", "6A4", & "6A5"**  
**REAR PUMP CONFIGURATION:**  
 - SAE A 2 BOLT  
 - 3.250 PILOT DIAMETER  
 - SHAFT SIZES:  
 6A4 - 9 TOOTH 16/32 PITCH SPLINE - KIT P/N 787236  
 6A5 - 11 TOOTH 16/32 PITCH SPLINE - KIT P/N 787392

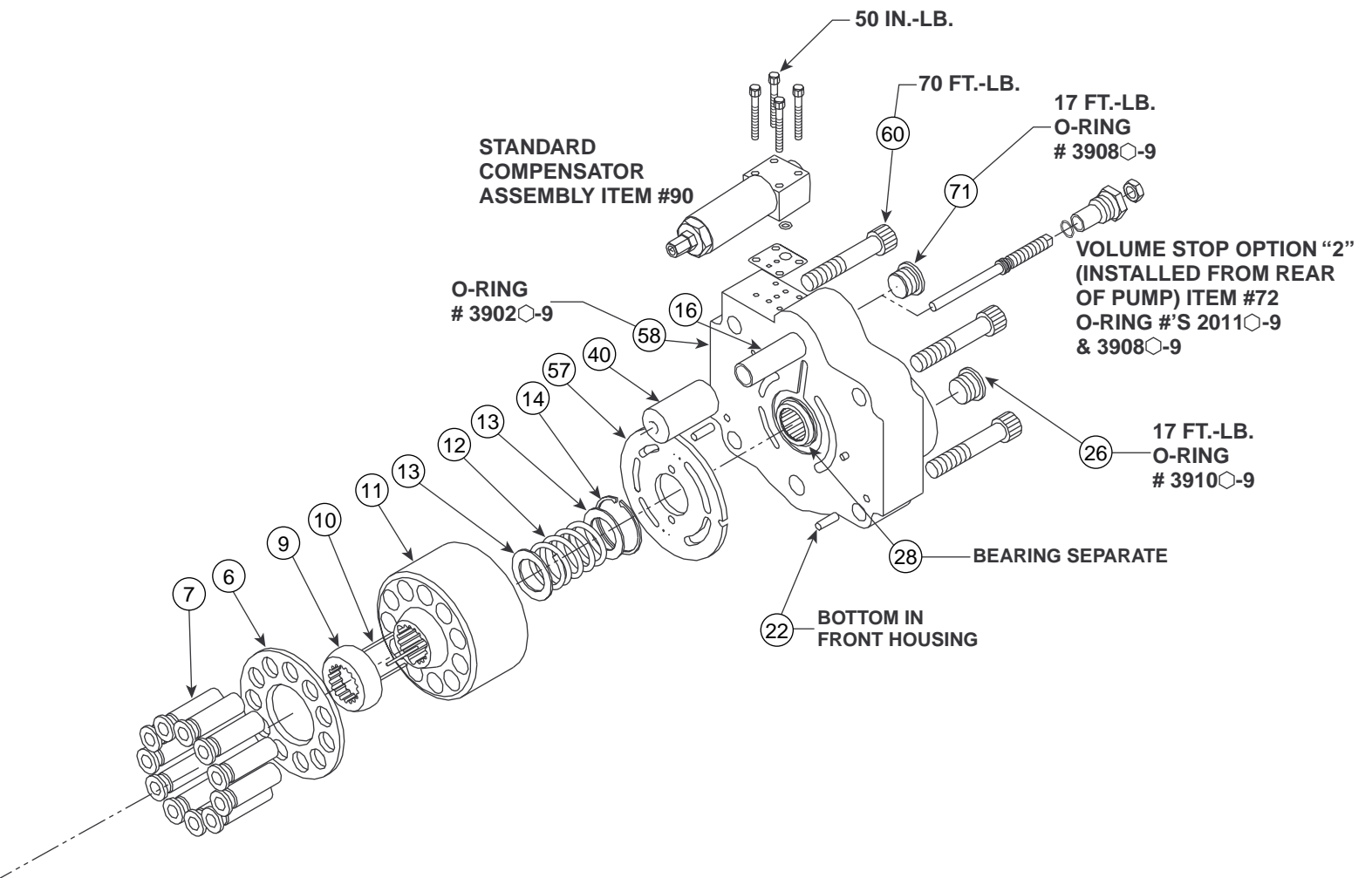


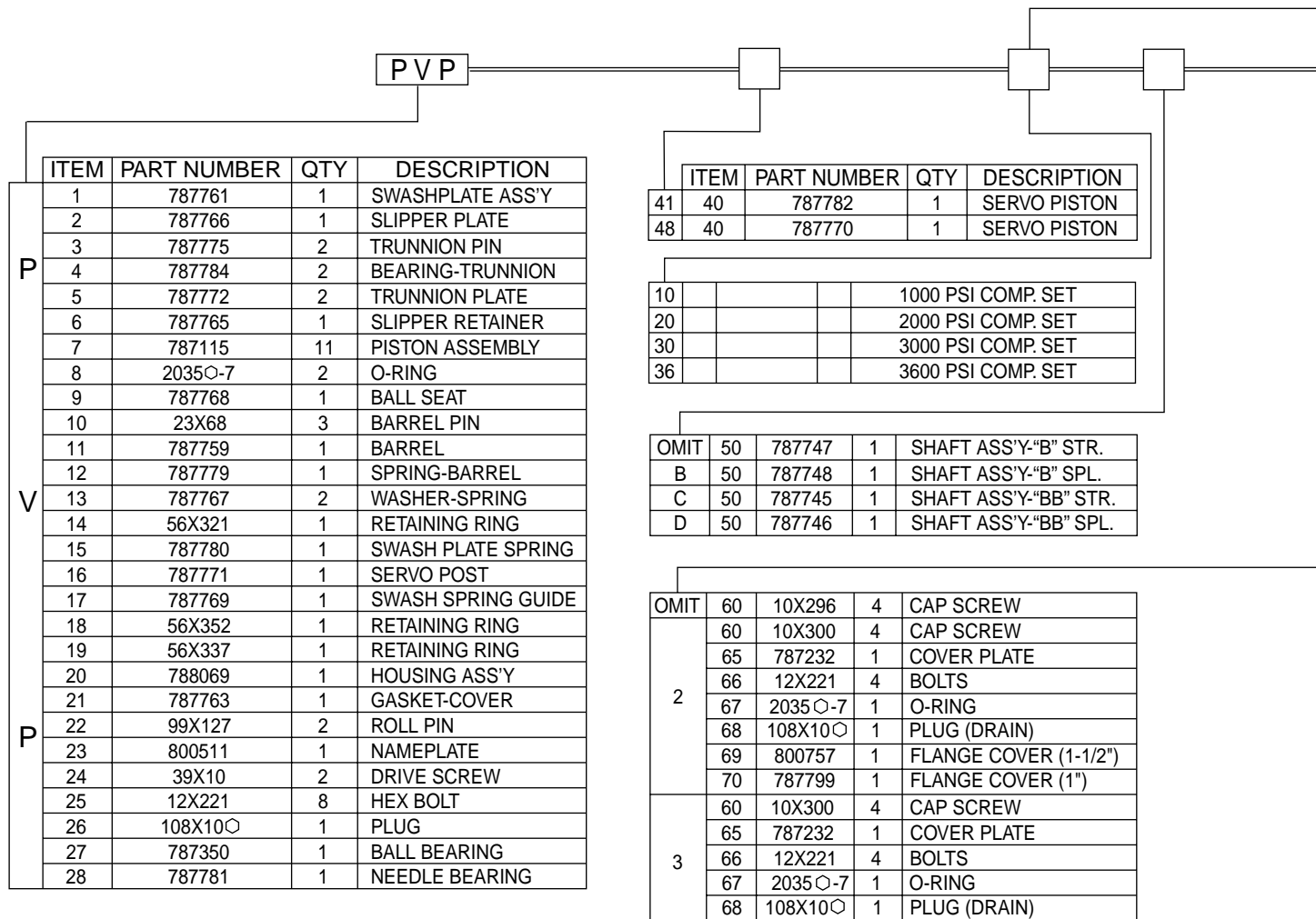
**THRU SHAFT VARIATIONS "6B1", "6B2", "6B3", & "6B4"**  
**REAR PUMP CONFIGURATION:**  
 - SAE B 2 BOLT  
 - 4.000 PILOT DIAMETER  
 - SHAFT SIZES:  
 6B1 -  $\phi$  .875 X .250 KEY - KIT P/N 787237  
 6B2 -  $\phi$  1.000 X .250 KEY - KIT P/N 787238  
 6B3 - 13 TOOTH 16/32 PITCH SPLINE - KIT P/N 787239  
 6B4 - 15 TOOTH 16/32 PITCH SPLINE - KIT P/N 787240



**NOTES:**

1. PUMP SHOWN IS A Righthand (CW) ROTATION PUMP WITH REAR PORTS.  
FOR A LEFTHAND (CCW) ROTATION PUMP THE INLET AND OUTLET PORTS WILL BE REVERSED.





ITEM	PART NUMBER	QTY	DESCRIPTION
1	787761	1	SWASHPLATE ASS'Y
2	787766	1	SLIPPER PLATE
3	787775	2	TRUNNION PIN
4	787784	2	BEARING-TRUNNION
5	787772	2	TRUNNION PLATE
6	787765	1	SLIPPER RETAINER
7	787115	11	PISTON ASSEMBLY
8	2035○-7	2	O-RING
9	787768	1	BALL SEAT
10	23X68	3	BARREL PIN
11	787759	1	BARREL
12	787779	1	SPRING-BARREL
13	787767	2	WASHER-SPRING
14	56X321	1	RETAINING RING
15	787780	1	SWASH PLATE SPRING
16	787771	1	SERVO POST
17	787769	1	SWASH SPRING GUIDE
18	56X352	1	RETAINING RING
19	56X337	1	RETAINING RING
20	788069	1	HOUSING ASS'Y
21	787763	1	GASKET-COVER
22	99X127	2	ROLL PIN
23	800511	1	NAMEPLATE
24	39X10	2	DRIVE SCREW
25	12X221	8	HEX BOLT
26	108X10○	1	PLUG
27	787350	1	BALL BEARING
28	787781	1	NEEDLE BEARING

ITEM	PART NUMBER	QTY	DESCRIPTION	
41	40	787782	1	SERVO PISTON
48	40	787770	1	SERVO PISTON

10				1000 PSI COMP. SET
20				2000 PSI COMP. SET
30				3000 PSI COMP. SET
36				3600 PSI COMP. SET

OMIT	50	787747	1	SHAFT ASS'Y-"B" STR.
B	50	787748	1	SHAFT ASS'Y-"B" SPL.
C	50	787745	1	SHAFT ASS'Y-"BB" STR.
D	50	787746	1	SHAFT ASS'Y-"BB" SPL.

OMIT	60	10X296	4	CAP SCREW
	60	10X300	4	CAP SCREW
	65	787232	1	COVER PLATE
2	66	12X221	4	BOLTS
	67	2035○-7	1	O-RING
	68	108X10○	1	PLUG (DRAIN)
	69	800757	1	FLANGE COVER (1-1/2")
	70	787799	1	FLANGE COVER (1")
3	60	10X300	4	CAP SCREW
	65	787232	1	COVER PLATE
	66	12X221	4	BOLTS
	67	2035○-7	1	O-RING
	68	108X10○	1	PLUG (DRAIN)

**NOTES:**

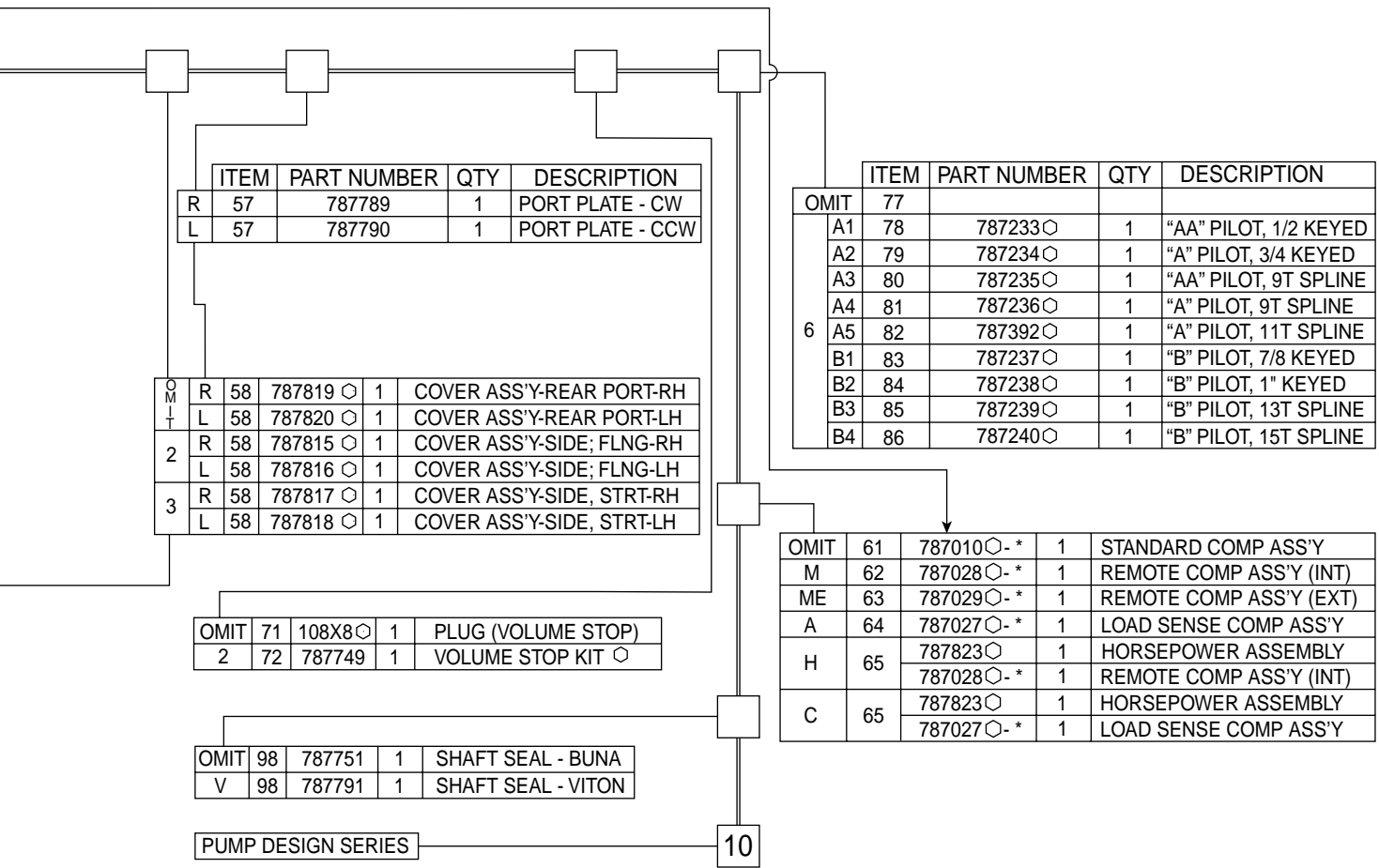
- O-RING COMPOUND DESIGNATION - ○(OMIT) =NITRILE, ◊=VITON
- FOR PROPER OPERATION OF "H" CONTROL, IT MUST BE USED WITH A REMOTE COMPENSATOR ASS'Y. (OPTION "M" - PART NUMBER 787028)
- FOR PROPER OPERATION OF 'C' CONTROL, IT MUST BE USED WITH A LOAD SENSE COMPENSATOR ASS'Y. (OPTION "A" - PART NUMBER 787027)
- SEAL KIT P/N SKPVP□○\*\* (\*\* - DESIGN SERIES)

- └ 41 (41 CC/REV)
- └ 48 (48 CC/REV)

- ROTATING GROUP KIT RRPV□□\*\* (\*\* - DESIGN SERIES)

- └ R (CW)
- └ L (CCW)
- └ 41 (41 CC/REV)
- └ 48 (48 CC/REV)





**⚠ CAUTION**

These service parts are intended for use in hydraulic pumps. Incorrect installation or assembly of these parts could cause the pump or pumps being repaired to fail in subsequent use, or to operate incorrectly.

The following precautions should be followed:

1. All parts should be cleaned and then lightly coated with mineral oil, or another lubricating fluid compatible with the system fluid being used, prior to assembly.
2. The pump should be disassembled, repaired, and reassembled in a clean environment.
3. Use proper tools to disassemble and reassemble the pump.
4. If you are uncertain as to how to install these parts, you should obtain assistance either from a Parker Hannifin distributor, or from the Fluidpower Pump Division.



**Parker Hannifin Corporation**  
Hydraulic Pump/Motor Division  
2745 Snapps Ferry Road  
Greeneville, TN 37745 USA  
Tel: (423) 639-8151  
Fax: (423) 787-2418  
Web site: [www.parker.com/pumpmotor](http://www.parker.com/pumpmotor)