



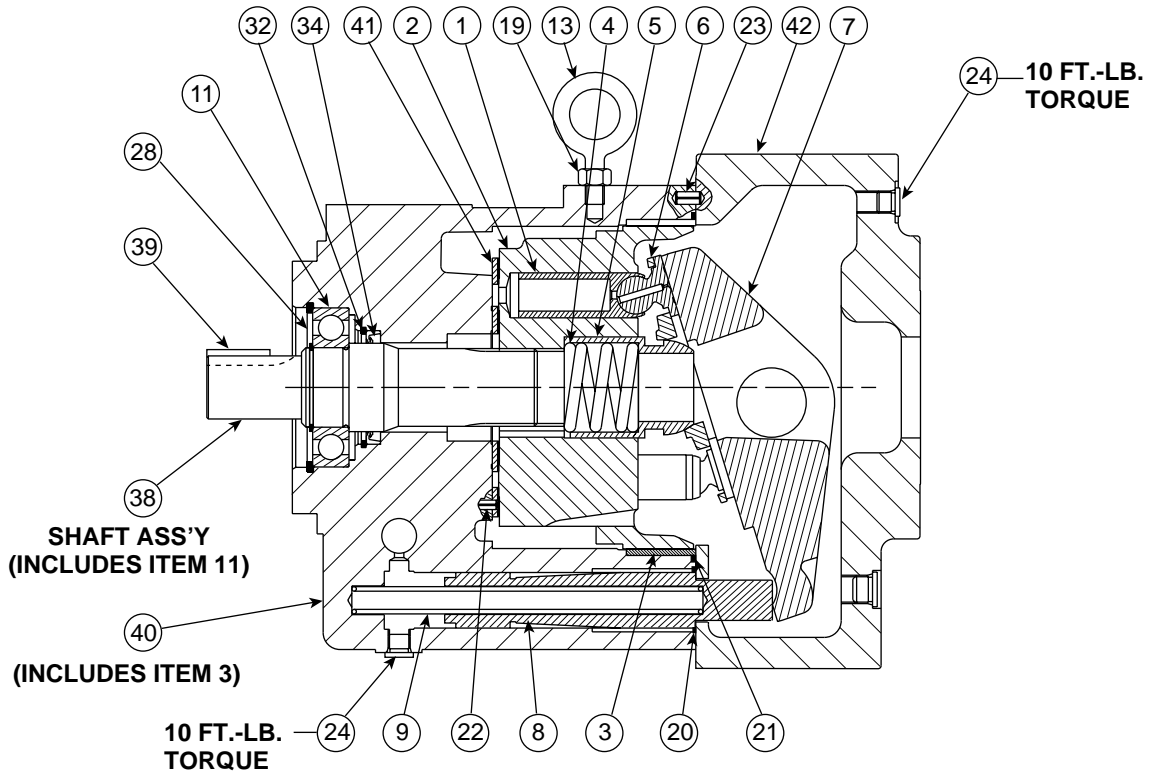
PM 3240-04

Service Parts Guide

Effective: October, 1994

PAVC SERIES VARIABLE VOLUME PISTON PUMP

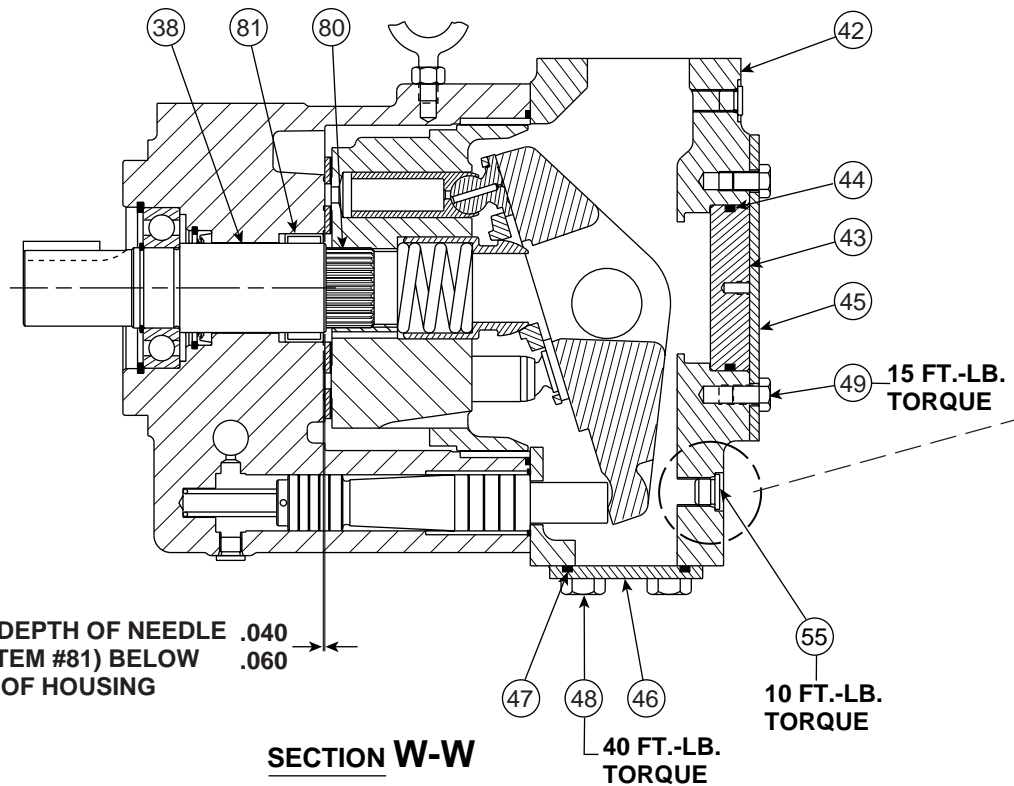
Model PAVC 100 * * * * 21



SECTION W-W

NOTE:

1. PUMP SHOWN WITH INLET PORT OPTION "OMIT" (REAR PORT)



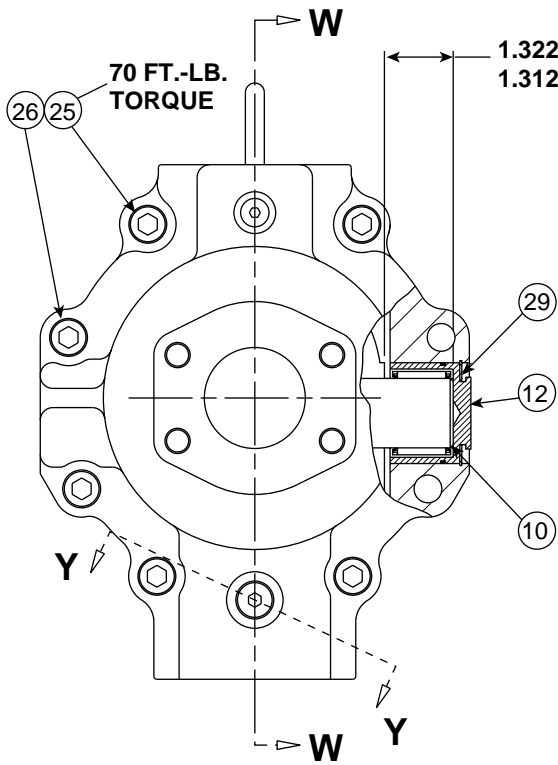
SECTION W-W

**DUAL SHAFT BEARING
CONFIGURATION SHOWN
(OPTION 9)**

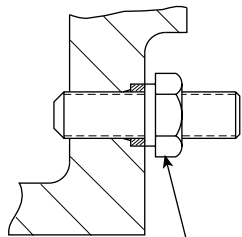
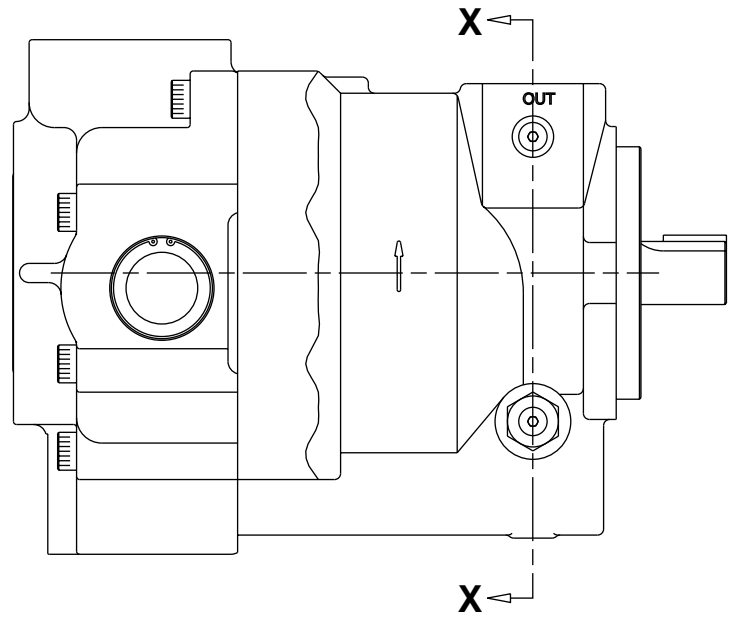
INSTALLED DEPTH OF NEEDLE
BEARING, (ITEM #81) BELOW
PORT FACE OF HOUSING
.040
.060

NOTE:

1. PUMP SHOWN WITH INLET PORT OPTION "2" (TOP/BOTTOM PORTS).

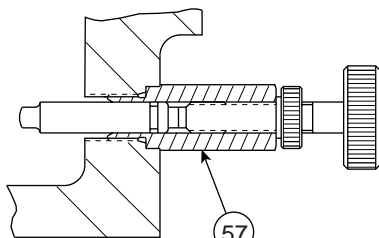


1.322 INSTALLED HEIGHT OF TRUNNION PIN (ITEM #10)
 1.312 INTO SWASHPLATE (ITEM #7) (INTERFERENCE FIT)



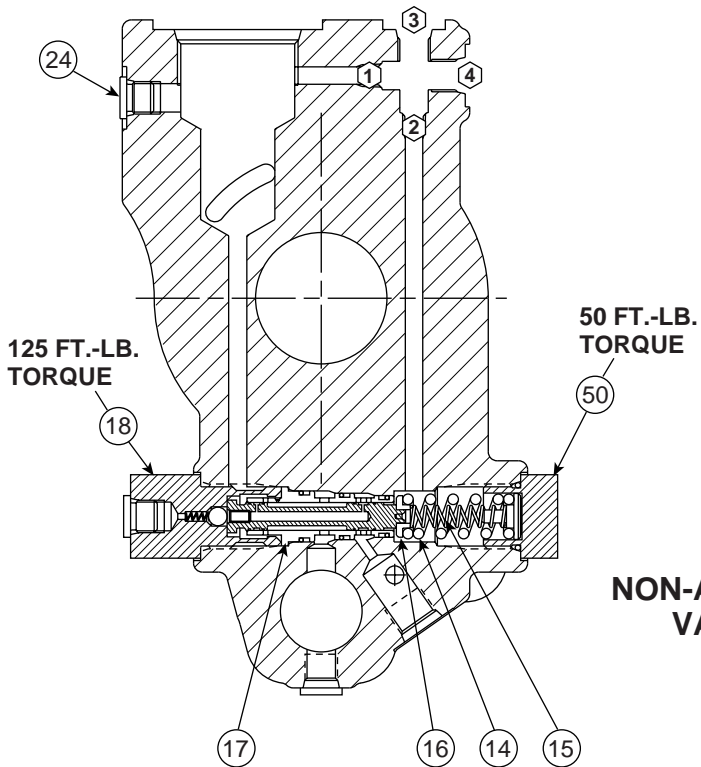
25-30 FT.-LB. TORQUE

MAXIMUM VOLUME STOP VARIATION - 2

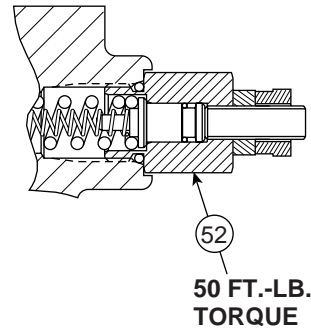


17 FT.-LB. TORQUE

MAXIMUM VOLUME STOP VARIATION - 5



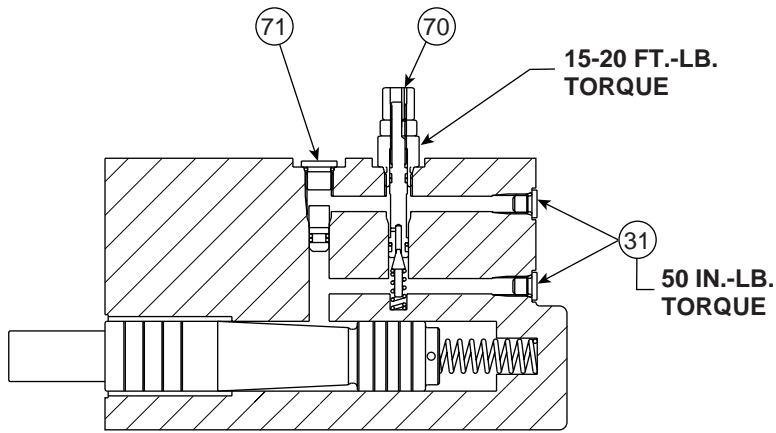
SECTION X-X



**ADJUSTABLE
DIFFERENTIAL
VARIATION - 4**

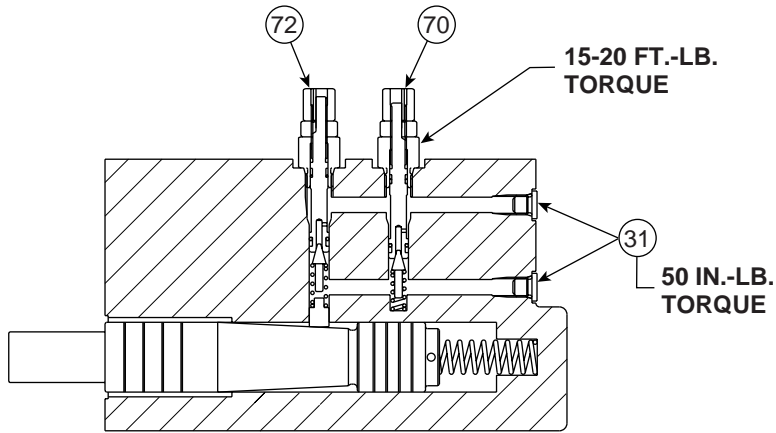
**NON-ADJ. DIFFERENTIAL
VARIATION - OMIT**

CONTROL OPTION	POSITION			
	1	2	3	4
OMIT	OPEN	690870	108X4	108X4
A	102X1	690870	OPEN	108X4
C	102X1	690870	OPEN	108X4
H	OPEN	690870	108X4	108X4
M	690870	OPEN	OPEN	108X4
ME	102X1	690870	OPEN	108X4
S	690870	OPEN	OPEN	108X4
SE	102X1	690870	OPEN	108X4
AM	102X1	690870	786635	OPEN
CM	102X1	690870	786635	OPEN
HM	690870	OPEN	OPEN	108X4



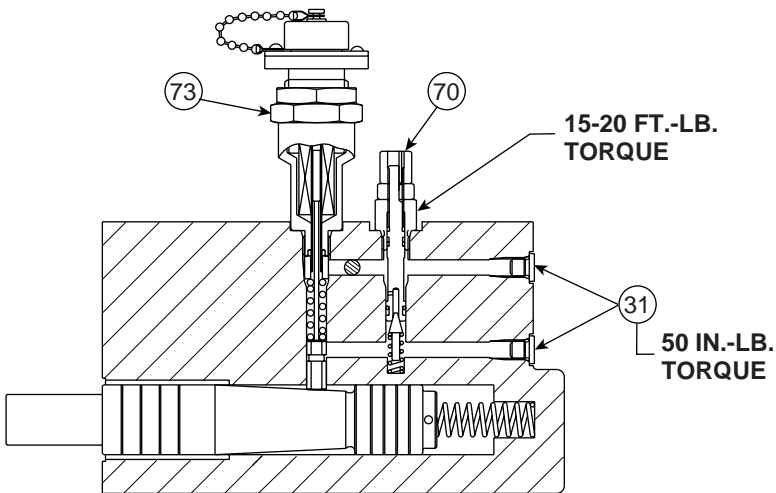
CONTROL OPTIONS
 "OMIT", "M", "A" AND "AM"

SECTION Y-Y



CONTROL OPTIONS
 "H", "C", "HM" AND "CM"

SECTION Y-Y



CONTROL OPTIONS
 "S" AND "SE"

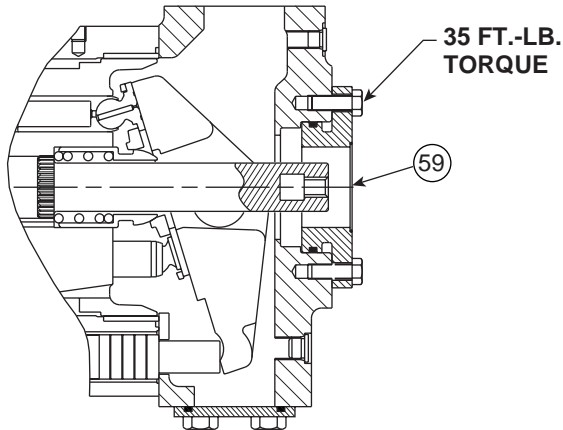
SECTION Y-Y

THRU-SHAFT PUMP OPTIONS

VARIATION "6A1"

PILOT DIAMETER: 2.000
 SHAFT LENGTH: 1.00-1.50
 SHAFT: .500 X .125 KEY

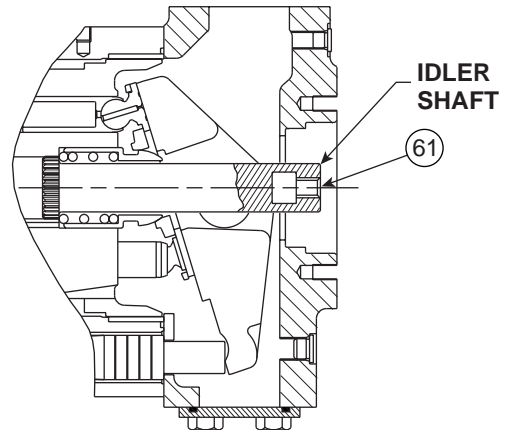
KIT PART NUMBER: 787851



VARIATION "6A4"

PILOT DIAMETER: 3.250
 SHAFT LENGTH: 1.25-1.40
 SHAFT: 9 TOOTH 16/32 PITCH

KIT PART NUMBER: 786926

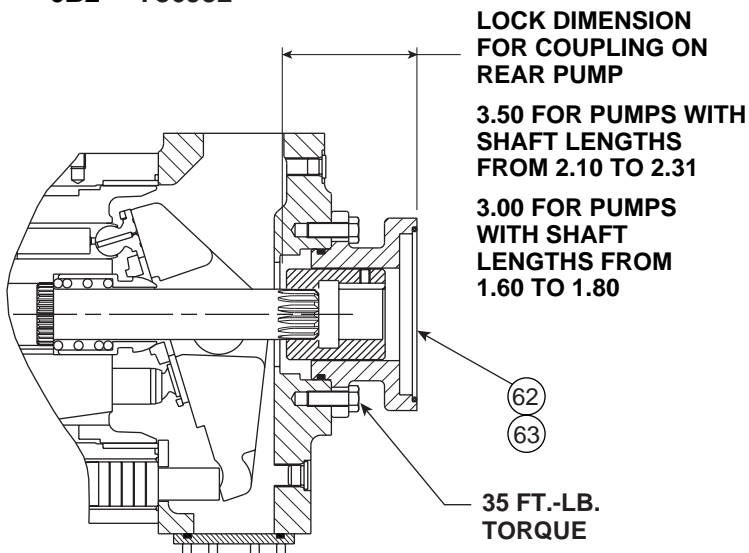


VARIATION "6B1" & "6B2"

PILOT DIAMETER: 4.000
 SHAFT LENGTH: 1.62-2.31
 SHAFT (6B1): .875 X .250 KEY
 SHAFT (6B2): 1.000 X .250 KEY

KIT PART NUMBERS:

"6B1" - 786927
 "6B2" - 786932

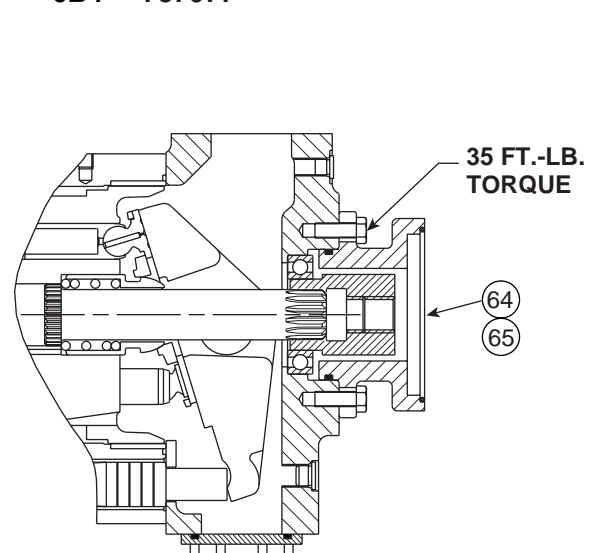


VARIATION "6B3" & "6B4"

PILOT DIAMETER: 4.000
 SHAFT LENGTH: 1.62-2.31
 SHAFT (6B3): 13 TOOTH 16/32 PITCH
 SHAFT (6B4): 15 TOOTH 16/32 PITCH

KIT PART NUMBERS:

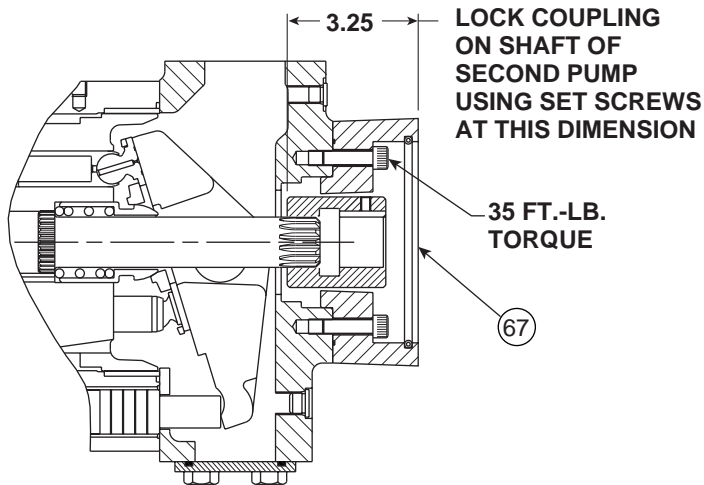
"6B3" - 787076
 "6B4" - 787077



VARIATION "6C2"

PILOT DIAMETER: 5.000
SHAFT LENGTH: 1.80-2.20
SHAFT: 1.250 X .312 KEY

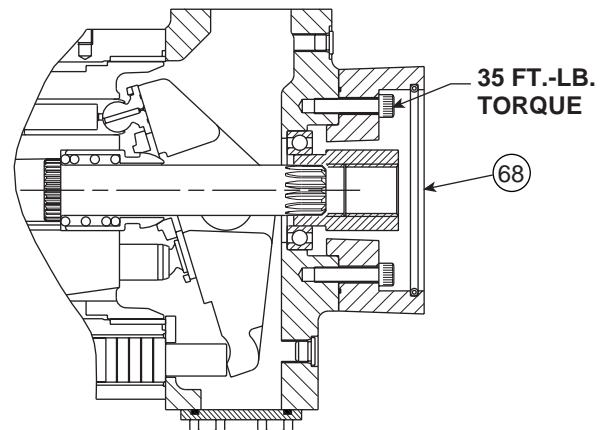
KIT PART NUMBER: 786928



VARIATION "6C3"

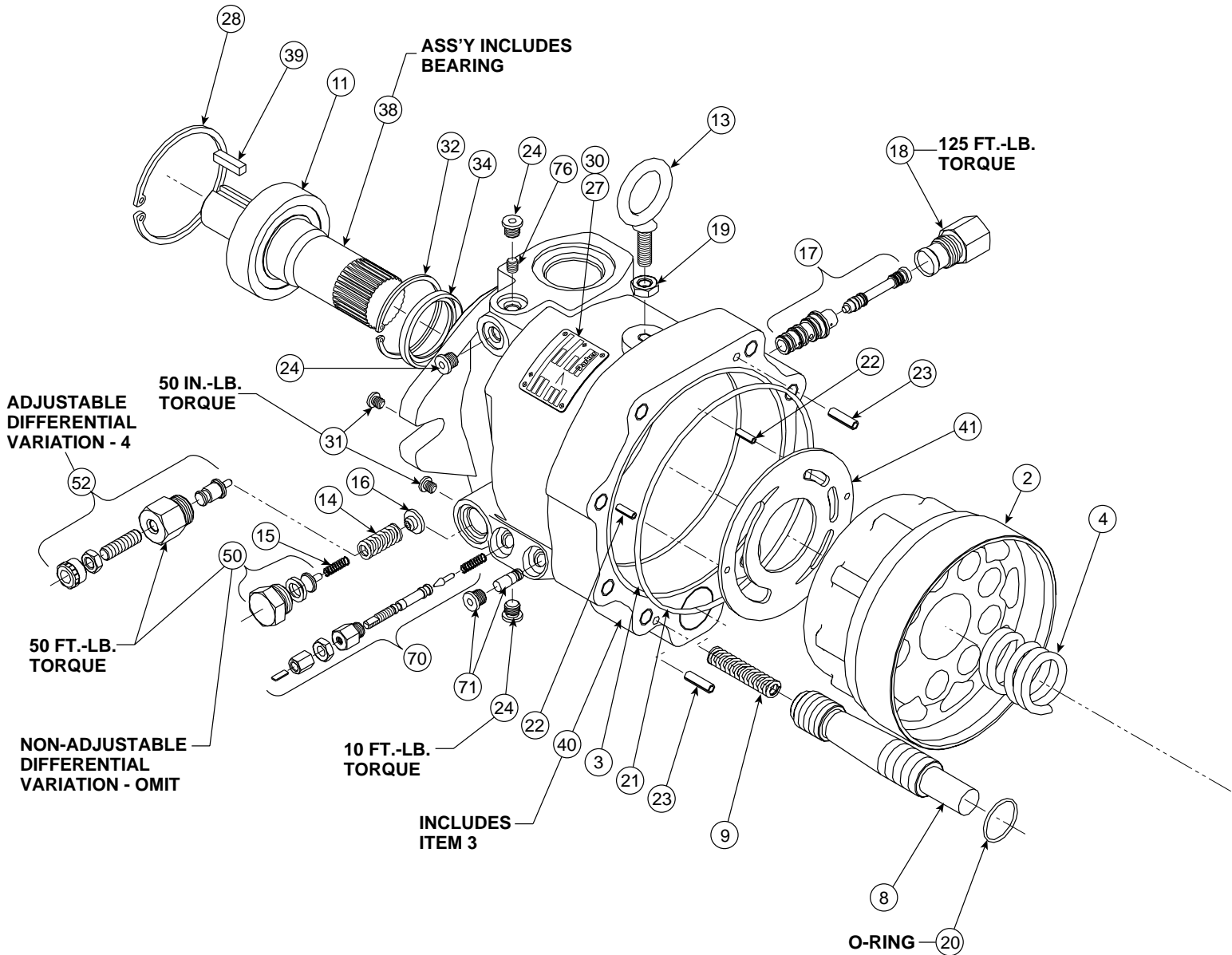
PILOT DIAMETER: 5.000
SHAFT LENGTH: 1.80-2.20
SHAFT: 14 TOOTH 12/24 PITCH

KIT PART NUMBER: 787078



NOTE:

1. IDLER SHAFT INSTALLED THROUGH FRONT OF PUMP.
(REMOVE INPUT SHAFT, INSTALL IDLER, RE-INSTALL INPUT SHAFT.)



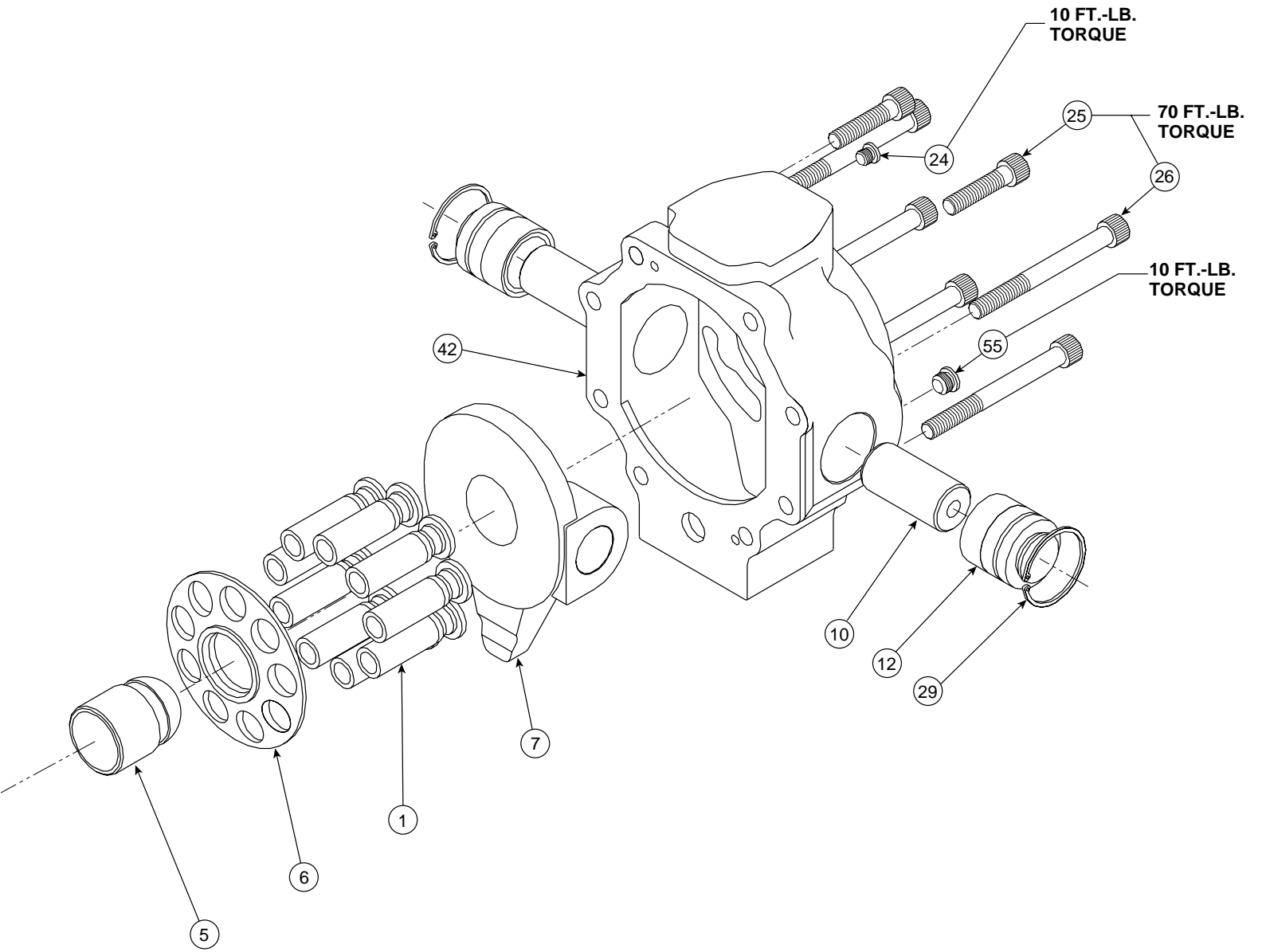
NOTES:

1. PUMP SHOWN IN CLOCKWISE ROTATION, CONTROL OPTION "OMIT", AND REAR INLET PORT. FOR COUNTERCLOCKWISE ROTATION OUTLET PORT, CONTROL DRAIN AND PUMP CONTROLS WILL BE ON OPPOSITE SIDE.

2. SEAL KIT – SK PAVC100 21

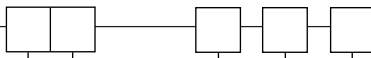
3. ROTATING GROUP KIT – RRK PAVC100 21

- R – CW ROTATION
- L – CCW ROTATION





	ITEM	PART NUMBER	QTY	DESCRIPTION
OMIT	34	787549	1	SHAFT SEAL
W	34	788043	1	SHAFT SEAL - VITON



R	41	786678	1	PORT PLATE
L	41	786680	1	PORT PLATE

P	1	786801	9	PISTON ASSEMBLY
	2	787420	1	BARREL
	3	786804	1	BUSHING-BARREL
	4	787411	1	SPRING-BARREL
A	5	786685	1	BALL SEAT
	6	786684	1	SLIPPER RETAINER
	7	786867	1	SWASH PLATE
	8	786872	1	SERVO PISTON
V	9	787412	1	SPRING-SERVO
	10	786870	2	TRUNNION PIN
	11	786568	1	BEARING - BALL
	12	786966	1	TRUN. CAP ASSY.
C	13	800299	1	EYE BOLT
	14	786865	1	SPRING-MODULATOR
	15	787474	1	SPRING-UPSTROKE
	16	786116	1	RETAINER-SPRING
1	17	787339	1	SPOOL & SLEEVE ASSY
	18	786946	1	AIRBLEED ASSY.
	19	16X108	1	JAM NUT
	20	2025N-9	1	O-RING
0	21	2166N-9	1	O-RING
	22	99X81	2	ROLL PIN
	23	99X127	2	ROLL PIN
	24	108X4	3	PLUG
0	25	10X294	2	CAP SCREW
	26	10X303	6	CAP SCREW
	27	800511	1	NAME PLATE
	28	56X357	1	SNAP RING
	29	56X327	2	SNAP RING
	30	39X10	2	DRIVE SCREW
	31	108X2	2	PLUG
	32	56X329	1	SNAP RING

OMIT	R	40	787558	1	FRONT HOUSING ASSY
	L	40	787559	1	FRONT HOUSING ASSY
3	R	40	787556	1	FRONT HOUSING ASSY
	L	40	787557	1	FRONT HOUSING ASSY

OMIT	42	786973	1	TRUNNION HOUSING
2	42	786974	1	TRUNNION HOUSING
	43	787020	1	THRU-SHAFT PLUG
	44	2234N-7	1	O-RING
	45	786944	1	COVER PLATE
	46	787021	1	INLET COVER
	47	2228N-9	1	O-RING
	48	12X291	4	BOLT
	49	12X253	4	BOLT

O M I T	OMIT	38	787592	1	SHAFT-STRAIGHT ASSY
		39	22X31	1	KEY
	B	38	787593	1	SHAFT SPLINE ASSY
	C	38	787594	1	SHAFT-STRAIGHT ASSY
9		39	22X45	1	KEY
	D	38	787595	1	SHAFT-SPLINE ASSY
	OMIT	38	787613	1	SHAFT-STRAIGHT ASSY
		39	22X31	1	KEY
	B	38	787572	1	SHAFT-SPLINE ASSY
	C	38	787573	1	SHAFT-STRAIGHT ASSY
		39	22X45	1	KEY
	D	38	787574	1	SHAFT-SPLINE ASSY
	80	787401	1	IDLER SHAFT	
	81	787550	1	NEEDLE BEARING	

NOTE:

① VARIATION "5" NOT AVAILABLE WITH VARIATION "6" (THRU-SHAFT).



DESIGN SERIES

OMIT NITRILE SEALS

	ITEM	PART NUMBER	QTY	DESCRIPTION
OMIT	50	786949	1	NON-ADJ DIFF ASSY
4	52	786950	1	ADJ DIFF ASSY

ITEM	PART NUMBER	QTY	DESCRIPTION
70	786952		PRESS COMP. ASSY
71	786953		TORQUE PLUG ASSY
72	786951		TORQUE CONTROL ASSY
73	786956		SERVO CONTROL ASSY
74	102X1		PIPE PLUG
24	108X4		STRAIGHT PLUG
76	690870		ORIFICE PLUG
77	786635		ORIFICE FITTING
OMIT			<p>REFER TO SECTION X-X & SECTION Y-Y FOR LOCATION & COMBINATION OF ABOVE COMPONENTS</p>
A			
C			
H			
M			
ME			
S			
SE			
AM			
CM			
HM			

OMIT	NO THRU- SHAFT OPTION			
6A1	59	787851	1	ADAPTER KIT "AA"
6A4	61	786926	1	ADAPTER KIT "A"
6B1	62	786927	1	ADAPTER KIT "B"
6B2	63	786932	1	ADAPTER KIT "BB"
6B3	64	787076	1	ADAPTER KIT "B"
6B4	65	787077	1	ADAPTER KIT "BB"
6C2	67	786928	1	ADAPTER KIT "C"
6C3	68	787078	1	ADAPTER KIT "C"

OMIT	55	108X6	1	PLUG
2	56	786954	1	MAX VOL STOP - "VAR 2"
5	57	786955	1	MAX VOL STOP - "VAR 5"





Parker Hannifin Corporation
Hydraulic Pump/Motor Division
2745 Snapps Ferry Road
Greeneville, TN 37745 USA
Tel: (423) 639-8151
Fax: (423) 787-2418
Web site: www.parker.com/pumpmotor