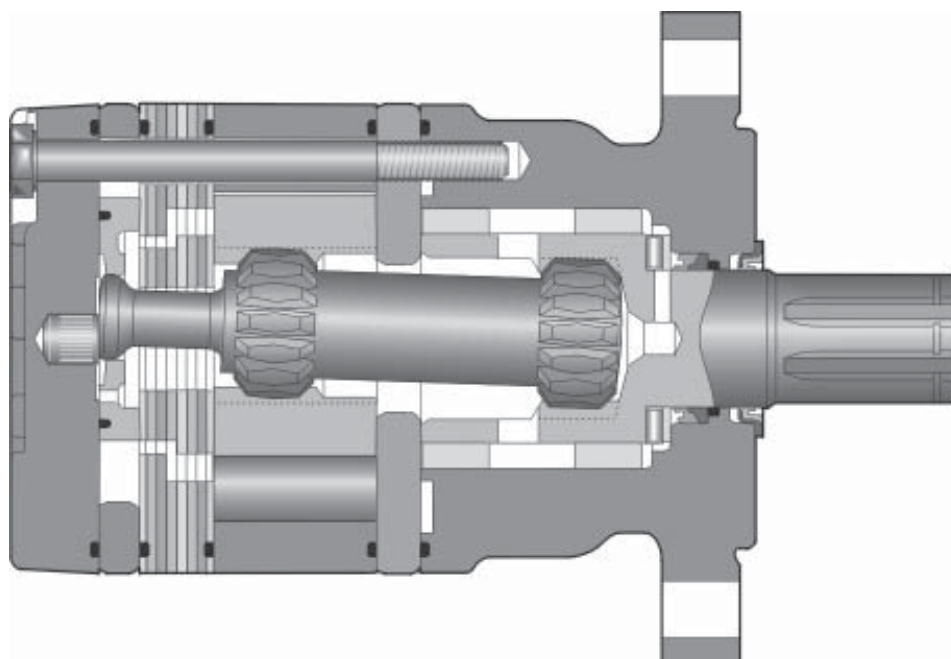
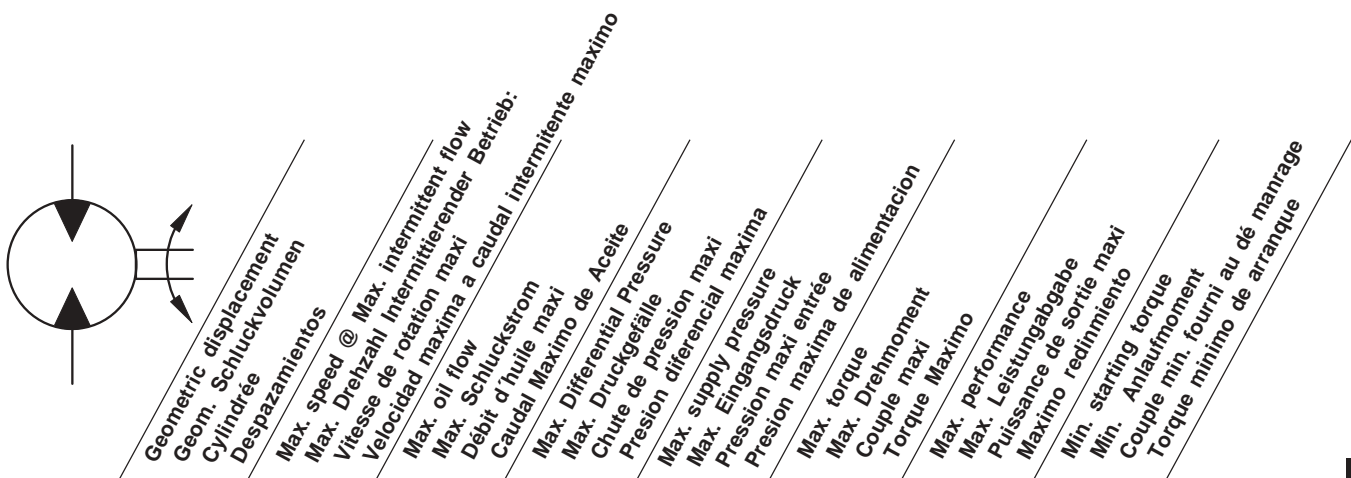


14 Displacements 14 Schluckvolumen 14 Cylindrée 14 Despazamientos	(2.5-24.0 in ³ /rev) 45 . . . 390 cm ³ /rev						
Maximum Pressure Max. Druckgefalle Chaute de pression max. Presion Maxima	<table border="0"> <tr> <td style="text-align: center;">Cont</td> <td style="text-align: center;">Int</td> </tr> <tr> <td style="text-align: center;">(to 1250 psi)</td> <td style="text-align: center;">(to 1750 psi)</td> </tr> <tr> <td style="text-align: center;">. . . 86 bar</td> <td style="text-align: center;">. . . 121 bar</td> </tr> </table>	Cont	Int	(to 1250 psi)	(to 1750 psi)	. . . 86 bar	. . . 121 bar
Cont	Int						
(to 1250 psi)	(to 1750 psi)						
. . . 86 bar	. . . 121 bar						
Maximum Oil Flow Schluckstrom Débit d'huile Caudal Maximo de Aceite	(to 15 gpm) . . . 57 lpm						
Maximum Speed Drehzahl Vitesse de rotation Velocidad Maxima	(810 rpm) 810 rpm						
Maximum Torque Max Drehmoment Couple Maxi Torque Maximo	<table border="0"> <tr> <td style="text-align: center;">Cont</td> <td style="text-align: center;">Int</td> </tr> <tr> <td style="text-align: center;">(1455 lb in)</td> <td style="text-align: center;">(2154 lb in)</td> </tr> <tr> <td style="text-align: center;">164.4 Nm</td> <td style="text-align: center;">243.4 Nm</td> </tr> </table>	Cont	Int	(1455 lb in)	(2154 lb in)	164.4 Nm	243.4 Nm
Cont	Int						
(1455 lb in)	(2154 lb in)						
164.4 Nm	243.4 Nm						
Maximum Side Load Seitenlast Charges latérales Carga Maxima Lateral	(to 788 lb) . . . 3505 N						

Big Performance In A Small Package

High Performance and long life in a reduced space envelope describe Parker's TC Series motors. High volume fluid flow continually washes across splines and seals to extend their life. Roller vanes and sealed commutation assure high volumetric efficiency and smooth low speed operation.





Motor Series TC	cm ³ /rev in ³ /rev	rev/min	cont / int* l/min g/min		cont / int* bar psi		max bar psi	cont / int* Nm lb-in		max KW HP	cont / int* Nm lb-in	
TC0045	41 2.5	810	34 9	34 9	86 1250	121 1750	134 1950	36.7 325	53.2 471	4.5 6.1	19.7 174	33.3 295
TC0050	49 3.0	688	34 9	34 9	86 1250	121 1750	134 1950	45.8 405	65.2 577	4.7 6.3	26.6 235	39.4 349
TC0065	65 4.0	517	34 9	34 9	86 1250	121 1750	134 1950	62.8 556	89.5 792	4.8 6.5	40.8 361	66.7 590
TC0080	82 5.0	413	34 9	34 9	86 1250	121 1750	134 1950	79.5 704	113.8 1007	4.9 6.6	60.9 539	85.6 758
TC0100	98 6.0	460	45 12	45 12	86 1250	121 1750	134 1950	86.2 763	126.9 1123	6.1 8.2	78.0 691	105.5 934
TC0130	130 8.0	429	45 12	57 15	86 1250	121 1750	134 1950	112.8 998	168.1 1488	7.5 10.1	111.4 986	168.6 1492
TC0165	163 10.0	346	45 12	57 15	86 1250	121 1750	134 1950	138.5 1226	205.1 1815	7.5 10.0	139.2 1232	208.6 1846
TC0195	195 11.9	287	45 12	57 15	86 1250	121 1750	134 1950	164.4 1455	242.5 2146	7.3 9.8	194.8 1724	263.5 2332
TC0230	228 13.9	246	45 12	57 15	76 1100	107 1550	134 1950	162.4 1437	243.4 2154	6.3 8.4	194.6 1722	261.0 2310
TC0260	260 15.9	217	45 12	57 15	66 950	97 1400	134 1950	150.2 1329	240.2 2126	5.4 7.3	182.8 1618	264.8 2344
TC0295	293 17.9	193	45 12	57 15	59 850	86 1250	134 1950	142.4 1260	231.4 2048	4.7 6.3	189.2 1675	268.8 2379
TC0330	328 20.0	173	45 12	57 15	52 750	76 1100	134 1950	130.0 1151	216.3 1914	4.0 5.3	187.0 1655	261.9 2318
TC0365	370 22.6	152	45 12	57 15	45 650	66 950	134 1950	130.2 1152	216.8 1919	3.4 4.6	186.2 1648	276.0 2443
TC0390	392 24.0	144	45 12	57 15	45 650	66 950	134 1950	127.0 1124	211.6 1873	3.2 4.3	191.8 1698	285.5 2527

Performance data based on testing using 10W40 oil with a viscosity of 43,1 cSt. (200 SUS) at 54° C (130° F.). Performance data is typical. Actual data may vary slightly from one production motor to another.

Les données sur les performances sont basées sur des tests utilisant de l'huile 10W40 d'une viscosité de 200 SUS a 54°C (130°F). Ces données correspondent a des situations typiques. Les données réelles peuvent varier légèrement d'un moteur de production a l'autre.

Leistungsdaten sind gemessen mit SAE 10W40 bei einer Viskosität von 43,1 Cst bei 54°C. Geringfügige Abweichungen von den Katalogdaten sind möglich.

Datos tecnicos obtenidos con aceite 10W40 de 200 SUS de viscosidad a 54°C (130°F). Los datos proporcionados son valores típicos. Los valores exactos reales podrían tener una pequeña variación entre distintos motores.

* Intermittent operation rating applies to 10% of every minute.

Intermittierende Werte maximal 10% von jeder Betriebsminute.

Fonctionnement interm. 10% max. de chaque minute d'utilisation.

Capacidad de funcionamiento intermitente valida para 10% por cada minuto.



