

DENISON Lokomec D201 Flow Divider / Combiner



Publ. 5-EN 4400-A

DENISON | **Lokomec**

FEATURES

Compact and light flow divider / combiner
 Excellent dividing / combining accuracy
 Free wheel operation with low pressure drop
 High flow capacity

DESCRIPTION

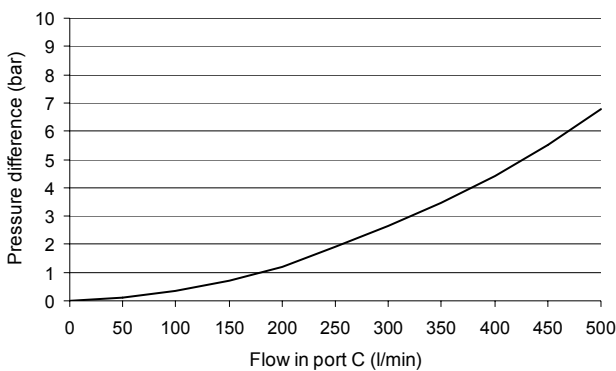
D201 valve is a flow divider / combiner. The valve divides the inlet flow into two flows according to its flow dividing ratio. The valve also combines two flows into one flow according to the same ratio. The flow dividing / combining ratio is constant over a wide flow and pressure range. The valve is normally in free wheel operation. Switching to dividing / combining operation is made hydraulically. D201 valve is especially designed for hydrostatic transmissions of mobile machines.

CHARACTERISTICS

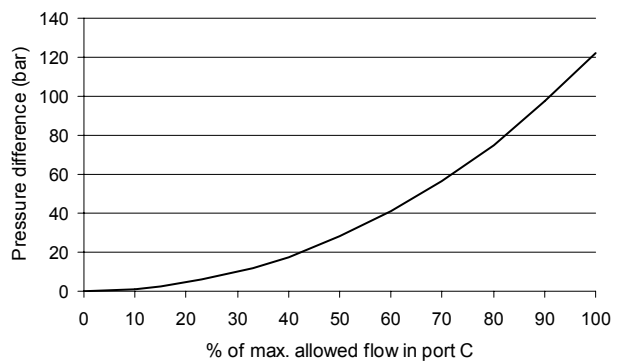
Mounting position	Optional
Operating pressure range	0...350 bar
Min. pilot pressure	Pressure in port T + 15 bar
Max. pilot pressure	50 bar
Max. pressure in port T	5 bar
Nominal flow in port C in free wheel operation	400 l/min
Dividing accuracy	<±2% of the max. allowed flow in port C when pressure difference in between A and B is max. 200 bar.
Fluid	Mineral oil
Contamination level	Minimum to NAS 1638 Class 9
Fluid temperature range	-20 ... +70° C
Viscosity range	2,8 ... 380 mm ² /s (cSt)
Recommended operating viscosity	35 mm ² /s (cSt)
Weight	12 kg

PRESSURE DROP CURVES

Free wheel operation



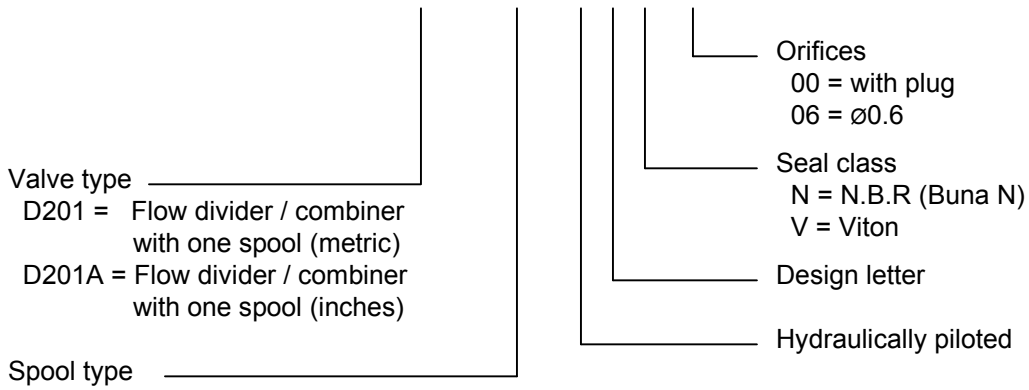
Dividing / combining operation



Measuring conditions: Viscosity 35 mm²/s

ORDERING CODE

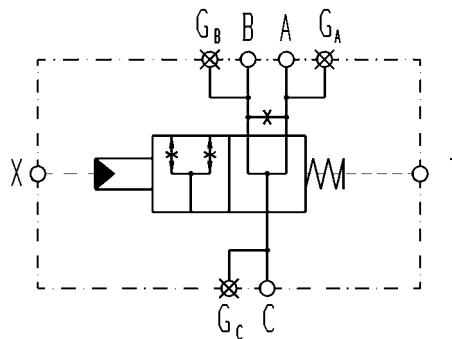
D201 - 0505 - HAN - 06



Spool type	Dividing / combining ratio in ports A and B	Max. allowed flow in port C in dividing / combining operation
0505	1 : 1	100 l/min
0707	1 : 1	140 l/min
1010	1 : 1	200 l/min
1414	1 : 1	280 l/min

Other ratios on request

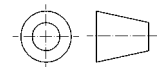
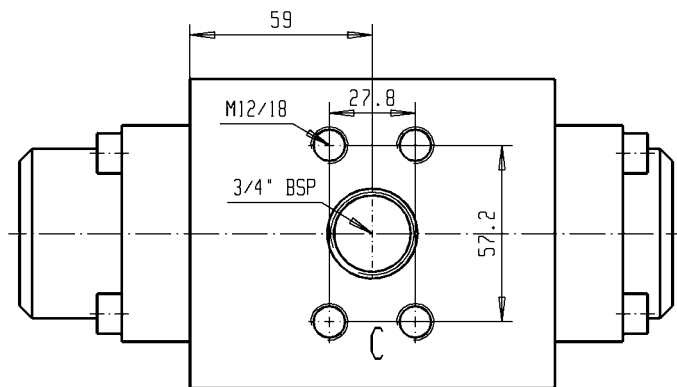
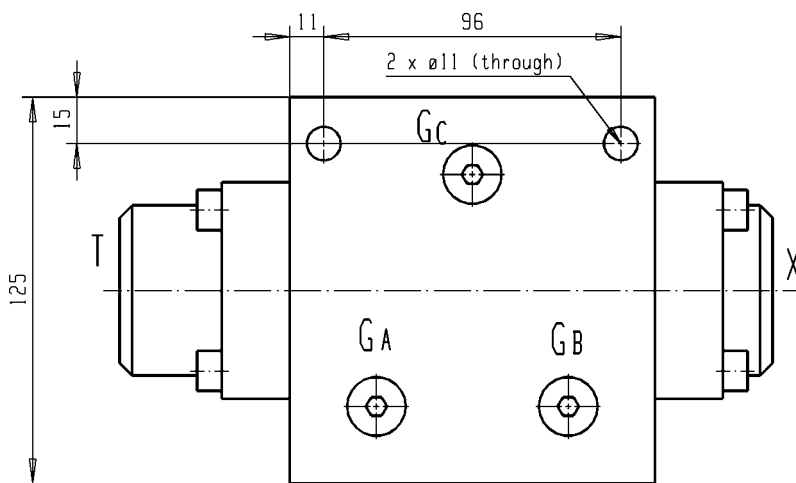
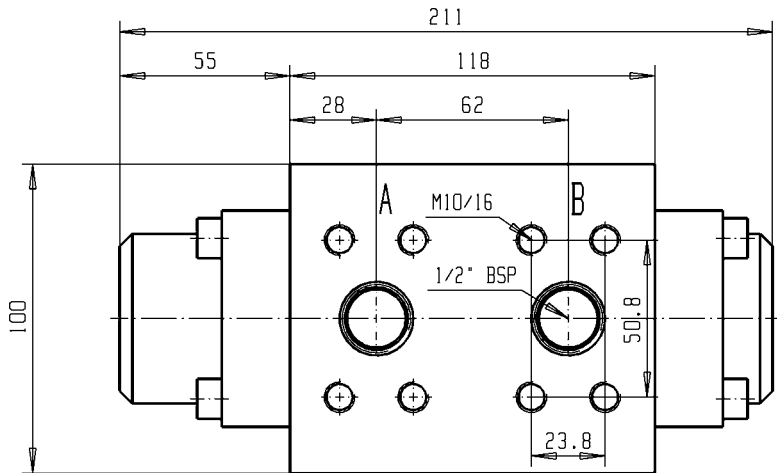
SYMBOL



NOTE: It is not allowed to close port X during operation. Internal leakage can cause malfunction. Port T must be connected to unpressurized tank.

MOUNTING DIMENSIONS

D201



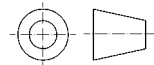
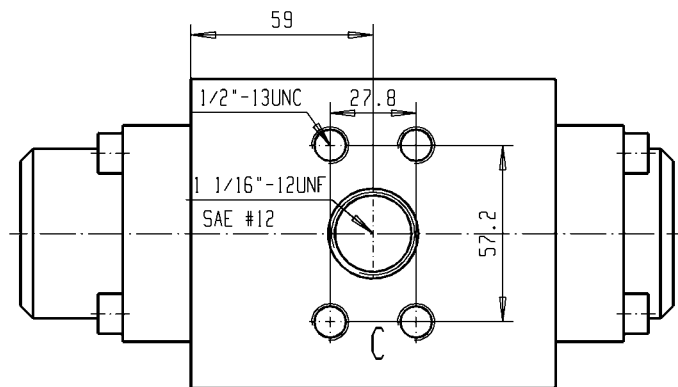
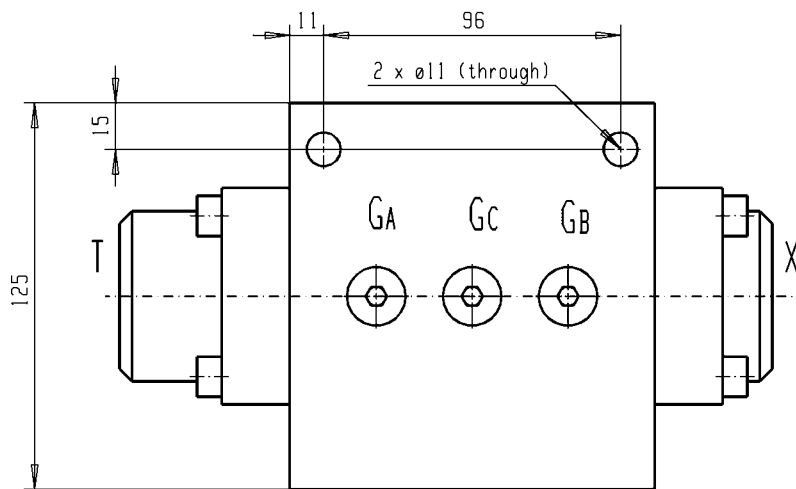
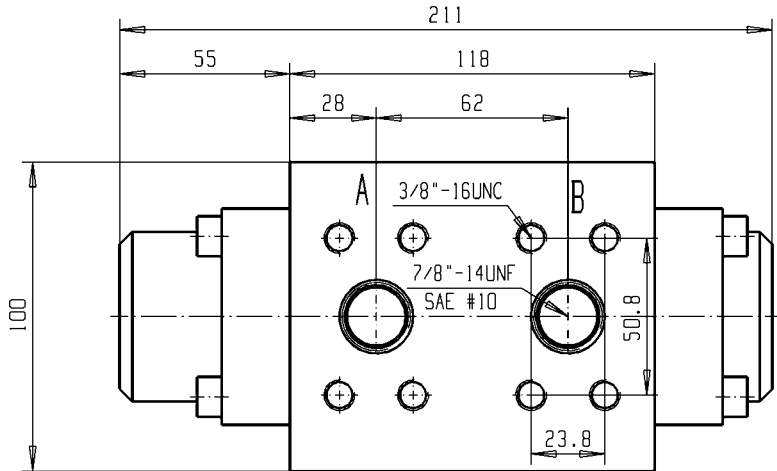
CONNECTIONS

- C = SAE 1" 6000 psi (3/4" BSP)
- A,B = SAE 3/4" 6000 psi (1/2" BSP)
- X,T = 1/4" BSP
- Ga, Gb, Gc = 1/4" BSP



MOUNTING DIMENSIONS

D201A

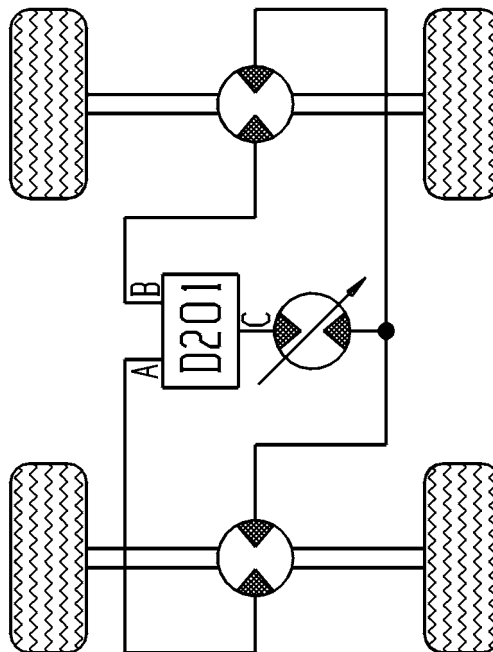
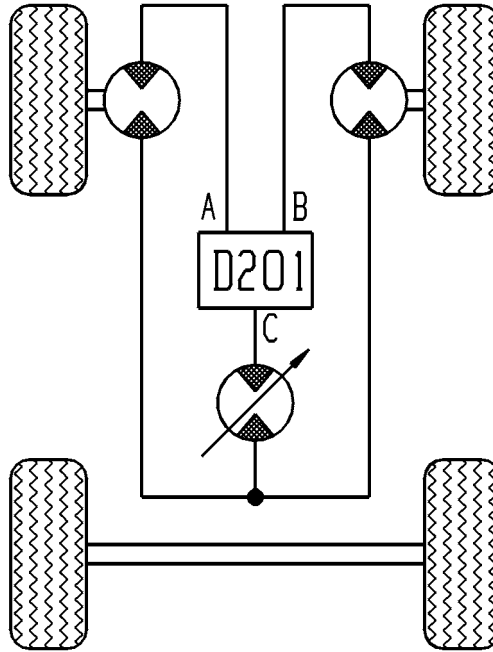


CONNECTIONS

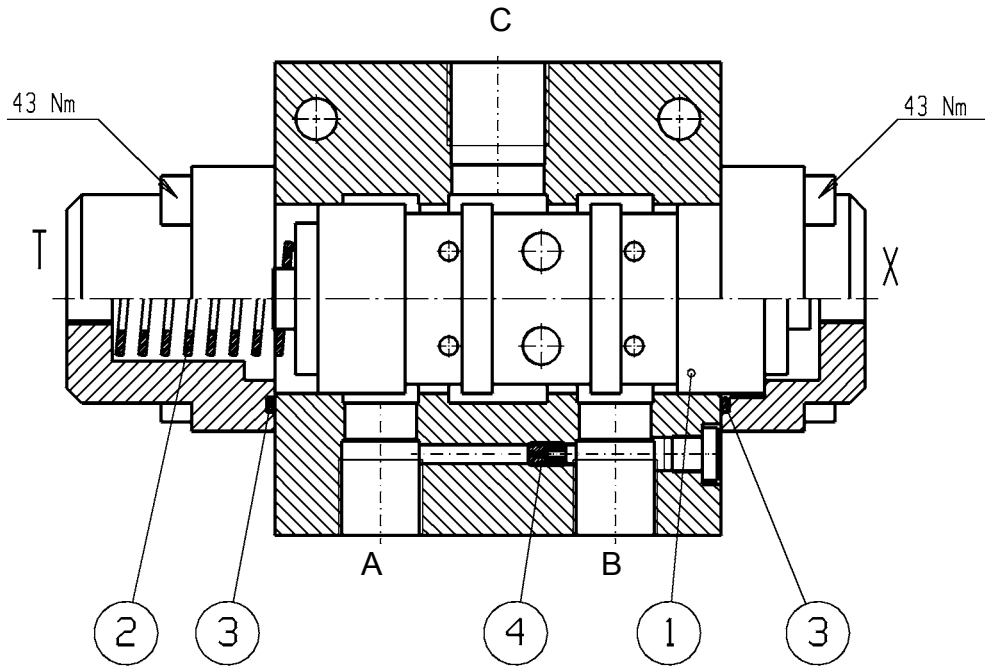
- C = SAE J518C 1" 6000 psi (1 1/16"-12UNF)
- A,B = SAE J518C 3/4" 6000 psi (7/8"-14UNF)
- X,T = 1/2"-20UNF
- Ga, Gb, Gc = 1/2"-20UNF



HYDROSTATIC TRANSMISSION



SPARE PARTS



ITEM	PART	CODE
1	SPOOL 0505	39655202
1	SPOOL 0707	39655206
1	SPOOL 1010	39655210
1	SPOOL 1414	39655207
2	SPRING	TE326500
3	O-RING (N)	OR300545
3	O-RING (V)	OR300546
4	PLUG M6*6	PI060060
4	ORIFICE M6*6-0.6	KU006060

150 In Europe:

Cyprus
Czech Republic
Eastern Europe
The Faroe Islands
Finland
Greece
Hungary
Iceland
Norway
Poland
Portugal
Romania
Russia
Serbia Montenegro
Slovakia
Slovenia
Switzerland
Turkey

In Africa:

Algeria
Egypt
Ivory Coast
Morocco
Nigeria
South Africa
Togo
Tunisia

In Middle East:

Bahrain
Iran
Israel
Jordan
Lebanon
Pakistan
Qatar
Saudi Arabia
Syria
United Arab Emirates

In Far East:

Indonesia
Korea
Malaysia
New Zealand
Philippines
Taiwan
Thailand

Australia

DENISON HYDRAULICS Pty. Ltd.
41-43 St. Hillers Road
P.O. Box 192
Auburn, N.S.W. 2144
Australia
Tel. (612) 9646 5200
Fax (612) 9643 1305

Other sales offices:
Queensland
South Wantirna Victoria
Western Australia

Austria

DENISON HYDRAULIK GmbH
Zweigniederlassung Linz
Haidbachstraße 69
A-4061 Pasching
Austria
Tel. (43) 7229 4887
Fax (43) 7229 63092

Benelux

DENISON HYDRAULICS
BENELUX B. V.
Pascalstraat 100
3316 Dordrecht
Holland
Tel. (31) 786179 900
Fax (31) 786175 755

Canada

DENISON HYDRAULICS
CANADA Inc.
2320 Bristol Circle, Unit 1
Oakville, ON L6H 5S2
Canada
Tel. (905) 829 5800
Fax (905) 829 5805

Other sales offices:
Montreal, QC
Calgary, AB

Denmark

DENISON HYDRAULIK
DENMARK A/S
Industrikrogen 2
DK-2635 Ishøj
Denmark
Tel. (45) 4371 15 00
Fax (45) 4371 15 16

Finland

DENISON LOKOMEK OY
P.O. Box 116
Polunmäenkatu 22
FIN-33721 TAMPERE
Finland
Tel. (358) 3 3575 100
Fax (358) 3 3575 111

Other sales offices: Lohja

France

DENISON HYDRAULICS
FRANCE SA
14, route du Bois Blanc
BP 539
18105 Vierzon
France
Tel. (33) 2 48 53 01 20
Fax (33) 2 48 75 02 91

Other sales offices:
Bordeaux
Lyon
Paris

Germany

DENISON HYDRAULIK GmbH
Herderstrasse 26
D-40721 Hilden
Germany
Tel. (49) 2103 940-6
Fax (49) 2103 940-880

Other sales offices:
Dresden
Hanover
Stuttgart

Great Britain

DENISON HYDRAULICS U.K.
Ltd.
Kenmore Road
Wakefield 41, Industrial Estate
Wakefield, WF20XE
West Yorkshire
England
Tel. (44) 19 24 826 021
Fax (44) 19 24 826 146

Other sales offices:
Burgess Hill

Hong Kong

DENISON HYDRAULICS Ltd.
Unit 3, 25/F Cable TV Tower
9 Hoi Shing Road
Tsuen Wan
N.T., Hong Kong
Tel. (852) 24988381
Fax (852) 24991522

Italy

DENISON HYDRAULICS S.r.l.
Viale Europa 68
20090 Cusago
Milano
Italy
Tel. (39) 2 90330 1
Fax (39) 2 90390 695

Japan

DENISON JAPAN Inc.
4-2-1 Tsujido-Shinmachi
Fujisawa 251,
Japan
Tel. (81) 466 35 3257
Fax (81) 466 35 2029

Other sales office:
Osaka

Mexico, Central America, South America and Caribbean Countries Contact

DENISON HYDRAULICS Inc.
6167 NW 181 Terrace Circle North
Miami, FL 33015
USA
Tel. (305) 362 2246
Fax (305) 362 6220

P.R. China

SHANGHAI DENISON HYDRAULICS
ENGINEERING Ltd.
3F, No. 1, Mao Jia Zhai, Bai Lian Jing
Pudong New Area,
Shanghai 200126, China
Tel. (86) 21 5886 6599
Fax (86) 21 5886 7018

Singapore

DENISON HYDRAULICS S.E.A.
Pte. Ltd.
No. 11 Lorong Tukang Dua
Singapore 2261
Tel. (65) 2687840
Fax (65) 2687847

Spain

DENISON HYDRAULICS, S.A.
Gomis, 1
08023 Barcelona
Spain
Tel. (34) 3418 46 87
Fax (34) 3211 65 07

Other sales offices:
San Sebastian

Sweden

DENISON HYDRAULICS
SVENSKA AB
Sporregatan 13
213 77 - Malmö
Sweden
Tel. (46) 40 600 13 00
Fax (46) 40 600 13 50

Other sales offices:
Järfälla

Taiwan

DENISON HYDRAULICS Ltd.
6F-10, No. 79, Sec. 2, Roosevelt
road,
Taipei, Taiwan, R.O.C.
Tel. (886) 2 23645101 / 23645102
Fax (886) 2 23639025

USA

DENISON HYDRAULICS Inc.
14249 Industrial Parkway
Marysville, OH 43040
USA
Tel. 937 644 3915
Fax 937 642 3738
For nearest Distributor:
Call toll free 1 800 551 5956
E-Mail address:
denison@denisonhydraulics.com
WWW address:
http://www.denisonhydraulics.com

Other sales offices:

Fulton, CA
Mulberry, FL
Moline, IL
Rock Island, IL
Kentwood, MI
Portland, OR
Canton, MS
Arlington, TX
Houston, TX

Other European, Middle East and African Countries Contact

DENISON HYDRAULICS
FRANCE SA
14, route du Bois Blanc
BP 539
18105 Vierzon Cedex
France
Tel. (33) 2 48 53 01 44
Fax (33) 2 48 53 01 46

Your local DENISON representative:

